

# TruSystem<sup>®</sup> Operating Table Catalog

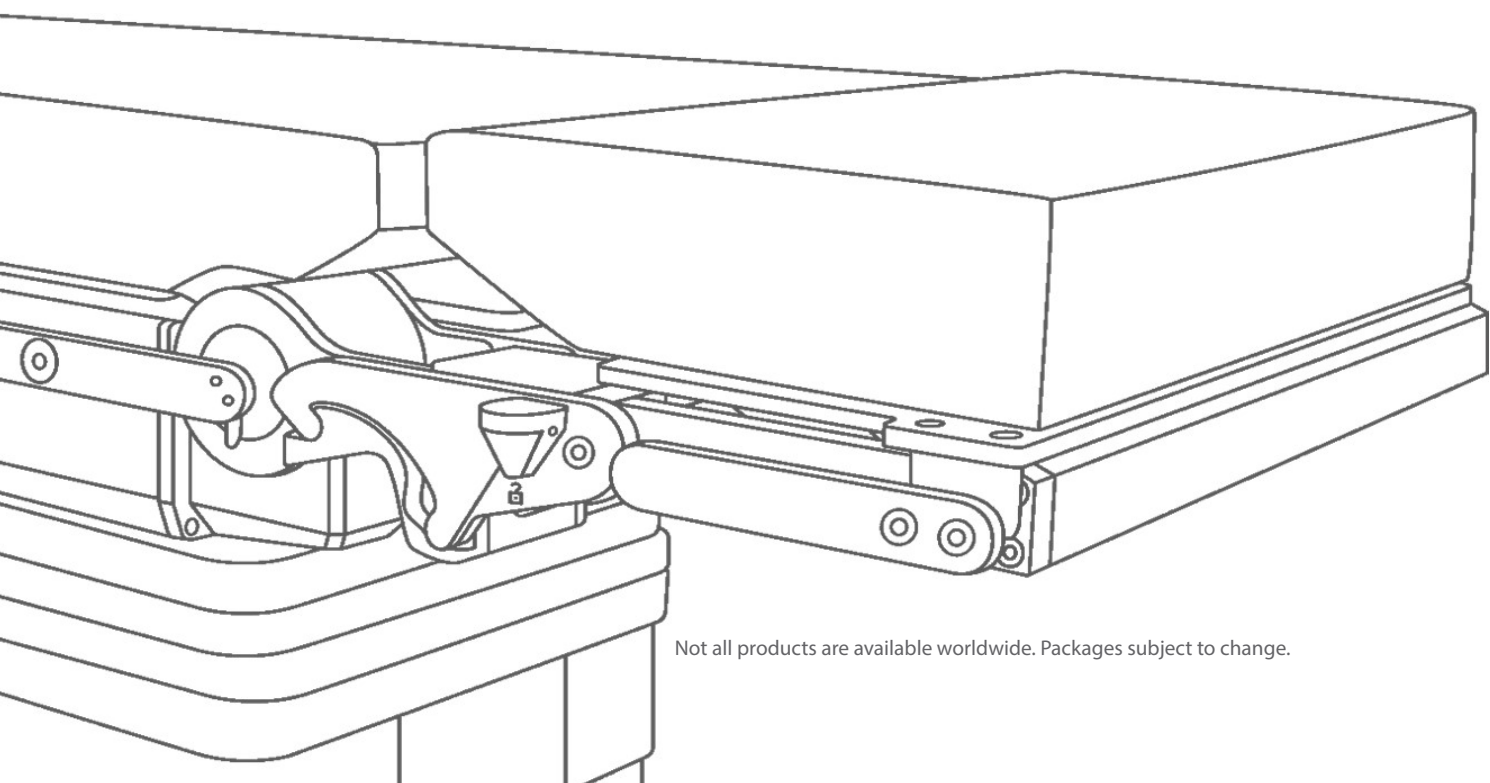


Enhancing outcomes for  
patients and their caregivers:



# Ready for any application.

Accessories and Components for  
TruSystem® Surgical Tables



Not all products are available worldwide. Packages subject to change.

# Contents

## TruSystem® Surgical Tables

Mobile Surgical Tables 6

---

System Tables & Tabletops 8

---

Table Components 14

---

## Components & Accessories

Head Supports 20

---

Body Supports 24

---

Leg Supports 28

---

Arm Supports 32

---

Siderails, Clamps & Trays 36

---

Carbon Components & Accessories 40

---

Positioning & Single-use Accessories 46

---

Control Options & Cords 52

---

Shuttles & Carts 56

---

## Specialty Applications

Neurology 62

---

Spine 70

---

Orthopedic 76

---

Urology & Gynecology 88

---

Bariatric 92

---

Pediatric 94

---

Anesthesia 96

---

Radiology 98

---

Vascular 102

---

## Index

Pad Index 106

---

Compatibility Matrix 108

---

X-ray Grid Solutions 110

---

# TruSystem® Surgical Tables

## Contents

Mobile Surgical Tables 6

---

System Tables & Tabletops 8

---

Table Components 14

---





# Mobile Surgical Tables



## TruSystem® 7000 Mobile Surgical Table

Mobile surgical table package includes TruSystem 7000 Surgical Table, Cable Remote (1767067), Head Section Double Joint (1853828), Leg Section One-Part (1739969), Charging Cable (110181), Cladding Protection (206528), pads

- Patient weight capacity: 1,000 lbs (450 kg)
- Height adjustment: 23" - 45" (59 cm - 114 cm ± 1 cm)
- Trendelenburg / reverse Trendelenburg: ± 45°
- Tilt: ± 30°
- Longitudinal slide: 18" ± 0.2" (46 cm); head: 7" (18 cm); foot: 11" (28 cm)
- Adjustment range joint back section: + 90° / - 45°
- Adjustment range joint leg section: + 90° / - 105°
- Tabletop dimensions (LxW): 79.3" x 23.6" (2,015 mm x 600 mm)

TruSystem 7000 Double Joint Package · Part # 112099

## TruSystem® 7000 Mobile Surgical Table, Motorized Base (MB)

Mobile surgical table with motorized base package includes TruSystem 7000 MB Surgical Table, Cable Remote (1767067), Head Section Double Joint (1853828), Leg Section One-Part (1739969), Charging Cable (110181), Cladding Protection (206528), pads

- Patient weight capacity: 1,000 lbs (450 kg)
- Height adjustment: 23" - 45" (59 cm - 114 cm ± 1 cm)
- Trendelenburg / reverse Trendelenburg: ± 45°
- Tilt: ± 30°
- Longitudinal slide: 18" ± 0.2" (46 cm); head: 7" (18 cm); foot: 11" (28 cm)
- Adjustment range joint back section: + 90° / - 45°
- Adjustment range joint leg section: + 90° / - 105°
- Tabletop dimensions (LxW): 79.3" x 23.6" (2,015 mm x 600 mm)

TruSystem 7000 MB Double Joint Package · Part # 112100



## TruSystem® 7000dV Mobile Surgical Table Standard Package

Mobile Surgical Table with ISO Center Motion for robotic surgery.

- Components include: Double Joint Head Section (1853828), Short Leg Section (1739969), Charging Cable (110181), Pads, dV Remote Control (1798326) and dV Connection Cable (1816914), Software for table motion.
- Accessories include: 2 Armboards with Snaplock Trigger (111893), Lightweight Transfer Board (2012543), 1 Multi-Task Armboard (112012) and clamp (111839), 1 Component Cart (2069425), 1 Patient Restraint Strap (2068137).
- Two-year Service Coverage including Software Upgrade(s) providing wireless capability\* for use with the da Vinci Xi Surgical System.

TruSystem 7000dV Standard Package · Part # 111916



## TruSystem® 7000dV Mobile Surgical Table Standard Table Package

Mobile Surgical Table with ISO Center Motion for robotic surgery.

- Components include: Double Joint Head Section (1853828), Short Leg Section (1739969), Charging Cable (110181), Pads, dV Remote Control (1798326) and dV Connection Cable (1816914), Software for table motion.
- Accessories include: 2 Armboards with Snaplock Trigger (111893), Lightweight Transfer Board (2012543), 1 Component Cart (2069425), 1 Patient Restraint Strap (2068137), 1 Rotatable Footboard (111618) and 2 Easy Lock Blade Clamps (111426).
- Two-year Service Coverage including Software Upgrade(s) providing wireless capability\* for use with the da Vinci Xi Surgical System.

TruSystem 7000dV Standard Table Package · Part # 112011



## TruSystem® 7000dV Mobile Surgical Table Upgrade

Includes:

- 1dV Remote Control (1798326), dV Connection Cable (1816914), dV Protection+ Service Contract and Software Upgrade

TruSystem 7000dV Table Upgrade · Part # 111917



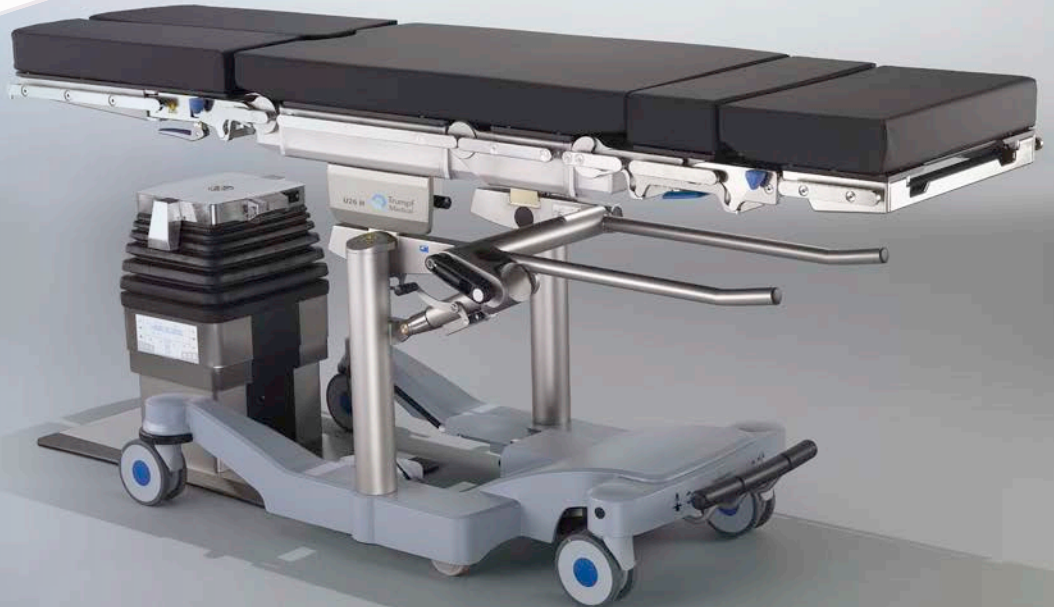
## TruSystem® 7000dV Mobile Surgical Table without ITM

Includes:

- 1dV Remote Control (1798326), Double Joint Head Section (1853828), Short Leg Section (1739969), Charging Cable (110181), Pads, 2 Armboards with Snaplock Trigger (111893), Lightweight Transfer Board (2012543), 1 Rotatable Footboard (111618) and 2 Easy Lock Blade Clamps (111426), 1 Component Cart (2069425), 1 Patient Restraint Strap (2068137).

TruSystem 7000dV Table without ITM · Part # 111883

# System Tables & Tabletops



TruSystem® 7500 Mobile Column

Mobile operating column with electrical motorized adjustment for height, lateral tilting and Trendelenburg / reverse Trendelenburg. Integrated power supply and high-capacity battery. Operate column and tabletop via column keypad or wireless remote control.

- Patient weight capacity: 880 lbs (400 kg)
- Height adjustment: 20.1" - 41.7" (51 cm - 106 cm ± 1 cm)
- Lift: 21.7" (55 cm)
- Trendelenburg / reverse Trendelenburg: ± 45°
- Tilt: ± 30°
- Column cladding and base plate made of stainless steel

TruSystem 7500 Mobile Column · Part # 1730720



TruSystem® 7500 Floor Mounted Column

Stationary operating column with electrical motorized adjustment for height, tilt and Trendelenburg / reverse Trendelenburg. Integrated power supply in column. Operate column and tabletop via the column keypad or wireless remote control.

- Patient weight capacity: 880 lbs (400 kg)
- Height adjustment: 20.5" - 42.1" (52 cm - 107 cm ± 1 cm)
- Lift: 21.7" (55 cm)
- Trendelenburg / reverse Trendelenburg: ± 45°
- Tilt: ± 30°
- Rotation: 360° (free rotation)
- Column cladding and base plate made of stainless steel

*Requires:* Mounting System Fixed Based, 112057 or 112059

TruSystem 7500 Floor Mounted Column · Part # 1730732





### TruSystem® 7500 Hybrid Floor Mounted Column - Shimadzu & Toshiba

Stationary operating column with electrical motorized adjustment for height, tilt and Trendelenburg / reverse Trendelenburg. Integrated power supply in column. Operate column and tabletop via the column keypad or wireless remote control.

- Patient weight capacity: 880 lbs (400 kg)
- Height adjustment: 20.5" - 42.1" (52 cm - 107 cm ± 1 cm)
- Lift: 21.7" (55 cm)
- Trendelenburg / reverse Trendelenburg: ± 45°
- Tilt: ± 30°
- Rotation: 360° (free rotation)
- Column cladding and base plate made of stainless steel

*Requires:* Mounting System Fixed Based, 112058 or 112060

TruSystem 7500 Hybrid Floor Mounted Column · Part # 1854085



### TruSystem® 7500 Hybrid Plus Floor Mounted Column - Siemens & Philips

Stationary operating column with electrical motorized adjustment for height, tilt and Trendelenburg / reverse Trendelenburg. Integrated power supply in column. Operate column and tabletop via the column keypad or wireless remote control.

- Patient weight capacity: 880 lbs (400 kg)
- Height adjustment: 20.5" - 42.1" (52 cm - 107 cm ± 1 cm)
- Lift: 21.7" (55 cm)
- Trendelenburg / reverse Trendelenburg: ± 45°
- Tilt: ± 30°
- Rotation: 360° (free rotation)
- Column cladding and base plate made of stainless steel

*Requires:* Mounting System Fixed Based, 112058 or 112060

TruSystem 7500 Hybrid Plus Floor Mounted Column · Part # 1854087



### TruSystem® 7500 U14 Tabletop U14

One-part operating tabletop with electrically motorized adjustment of leg and back section joints, with longitudinal slide. Dimensions for tabletop with on-floor mounted column.

- Patient weight capacity: 880 lbs (400 kg)
- Height range: 24.49" - 46.14" (62 cm - 117 cm)
- X-ray area: Head - 19.9" (50.6 cm); Foot - 18.7" (47.6 cm)
- Longitudinal slide: 18.1" (46 cm)
- Trendelenburg / reverse Trendelenburg: ± 45°
- Tilt: ± 30°
- Adjustment range of leg section joints: + 90° to - 105°
- Adjustment of back section joints: + 90° / - 105°
- Dimensions (LxW): 32.8" x 23.6" (83 cm x 60 cm)
- Load-bearing structure made of stainless steel
- Replacement pad: 1909816

OR Tabletop U14 HV U · Part # 1909800



### TruSystem® 7500 U24 Tabletop

Two-part operating tabletop with electrically motorized adjustment of leg and back section joints, with longitudinal slide. Dimensions for tabletop with on-floor mounted column.

- Patient weight capacity: 880 lbs (400 kg)
- Height range: 20.5" - 42.1" (52 cm - 107 cm)
- X-ray area: Head - 28.1" (71.5 cm); Foot - 17.5" (44.5 cm)
- Longitudinal slide: 15.7" (40 cm)
- Trendelenburg / reverse Trendelenburg: ± 45°
- Tilt: ± 30°
- Adjustment range of leg section joints: + 90° / - 105°
- Adjustment of lower back section joints: + 90° / - 55°
- Adjustment of head section joints: + 90° / - 70°
- Dimensions (LxW): 42.1" x 23.6" (107 cm x 60 cm)
- Load-bearing structure made of stainless steel
- Replacement pad: 1982388

OR Tabletop U24 HV U · Part # 1909797



### TruSystem® 7500 U26 Tabletop

Two-part operating tabletop with electrically motorized adjustment of the leg section joints, back section and back section joints, with longitudinal slide. Dimensions for tabletop with on-floor mounted column.

- Patient weight capacity: 880 lbs (400 kg)
- Height range: 20.5" - 42.1" (52 cm - 107 cm)
- X-ray area: Head - 27" (68.5 cm); Foot - 14.7" (37 cm)
- Longitudinal slide: 15.7" (40 cm)
- Trendelenburg / reverse Trendelenburg:  $\pm 45^\circ$
- Tilt:  $\pm 30^\circ$
- Adjustment range of leg section joints:  $\pm 105^\circ$
- Adjustment of lower back section joints:  $+ 90^\circ / - 55^\circ$
- Adjustment of head section joints:  $+ 90^\circ / - 105^\circ$
- Dimensions (LxW): 42.1" x 23.6" (107 cm x 60 cm)
- Load-bearing structure made of stainless steel
- Replacement pad: 1909814

OR Tabletop U26 H V U · Part # 1909794

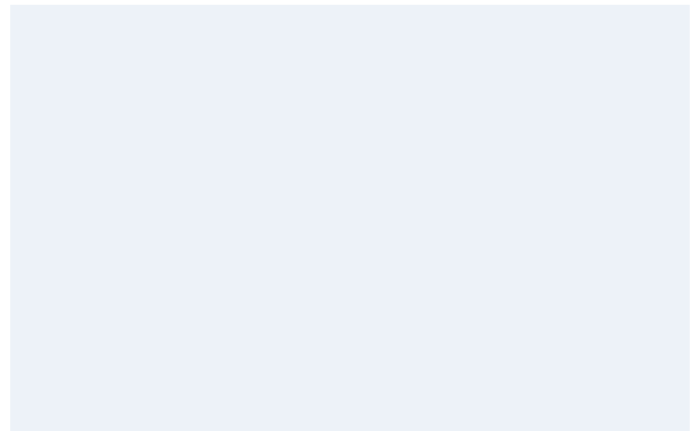


### TruSystem® 7500 SQ14 Tabletop

One-part operating tabletop with electrically motorized adjustment of leg and back section joints, as well as longitudinal and transversal shift. Dimensions for tabletop with on-floor mounted column.

- Patient weight capacity: 496 lbs (225 kg)
- Longitudinal slide: 13.8" (350 mm)
- Transversal slide:  $\pm 3.5"$  ( $\pm 88$  mm)
- Adjustment range of leg section joints:  $\pm 90^\circ$
- Adjustment of lower back section joints:  $\pm 90^\circ$
- Dimensions (LxW): 27.5" x 23.6" (699 mm x 600 mm)
- Load-bearing structure made of stainless steel
- Replacement pad: 1851926

OR Tabletop SQ14 U V · Part # 1846395



### TruSystem® 7500 ST26 Tabletop

Two-part operating tabletop with hook coupling points, electrically motorized adjustment of leg section joints, back section, back section joints, with longitudinal slide and additional Trendelenburg function. Dimensions for tabletop with on-floor mounted column.

- Patient weight capacity: 792 lbs (360 kg)
- Longitudinal slide: 15.75" (40 cm)
- Trendelenburg:  $\pm 45^\circ$  from column +  $\pm 20"$  tabletop
- Adjustment range of leg section joints:  $+ 90^\circ / - 105^\circ$
- Adjustment of lower back section joints:  $+ 90^\circ / - 50^\circ$
- Adjustment of upper back section joints:  $+ 90^\circ / - 105^\circ$
- Dimensions (LxW): 42.1" x 24.5" (1070 mm x 601 mm)
- Load-bearing structure made of stainless steel
- Replacement pad: 1909814

OR Tabletop ST26 H V U · Part # 2029418



### TruSystem® 7500 SQ14 X-TRA Tabletop

One-part operating tabletop with electrically motorized adjustment of leg and back section joints as well as longitudinal and transversal shift. Permanently mounted carbon segments at the head and foot end. Dimensions for tabletop with on-floor mounted column.

- Patient weight capacity: 352.7 lbs (160 kg)
- X-ray area: Head - 36.2" (92 cm), Foot - 59.5" (151 cm)
- Longitudinal slide: 13.8" (350 mm)
- Transversal slide:  $\pm 3.5$  in ( $\pm 88$  mm)
- Trendelenburg / reverse Trendelenburg:  $\pm 45^\circ$
- Tilt:  $\pm 30^\circ$
- Adjustment range of leg section joints:  $\pm 90^\circ$
- Adjustment of lower back section joints:  $\pm 90^\circ$
- Dimensions (LxW): 94.3 in x 23.6 in (2395 mm x 600 mm)
- Load-bearing structure made of stainless steel
- Replacement pad: 1851926

OR Tabletop SQ14 X-TRA U T · Part # 1581502



### TruSystem® 7500 Carbon X-TRA Tabletop

One-part operating tabletop made of carbon fiber with electrically motorized adjustment of longitudinal and lateral slide, with a coupling point at the foot end for attaching head positioning accessories. Dimensions for tabletop with on-floor mounted column.

- Patient weight capacity: 396.8 lbs (180 kg)
- 360° radiolucent
- X-ray area - Head end: 55.1" x 20.5" (1400 mm x 520 mm), Foot end: 18.1" x 20.5" (460 mm x 520 mm)
- Longitudinal slide: 17.9" (455 mm)
- Lateral slide: ± 3.3" (± 85 mm)
- Dimensions (LxW): 82.1" x 22" (2085 mm x 560 mm)
- Replacement pad: 1851928

Operating Tabletop Carbon X-TRA 7500 U · Part # 1846397



### TruSystem® 7500 Carbon FloatLine Tabletop

One-part operating tabletop made of carbon fiber with electrically motorized adjustment of longitudinal and lateral slide with coupling point at the head end for attaching head positioning accessories. Dimensions for tabletop with on-floor mounted column.

- Patient weight capacity: 496 lbs (225 kg); articulated: 396 lbs (180 kg)
- 360° radiolucent
- X-ray area: Head end: 70.9" x 20.5" (1800 mm x 520 mm); with headrest: 82.7" x 20.5" (2100 mm x 520 mm)
- Longitudinal slide: 31.4" (80 cm) (fixed)
- Lateral slide: ± 4.9 in (± 12.5 cm)
- Trendelenburg / reverse Trendelenburg: ± 45°
- Tilt: ± 30°
- Dimensions (LxW): 90.1 in x 22 in (2290 mm x 560 mm)
- Replacement pad: 1797654

Free Float Carbon · Part # 1616201



### TruSystem® PTS Combi Suite U Tabletop

One-part operating tabletop for use in combination with MAGNETOM Combi Suite Neurosurgery (Siemens product); electrically motorized adjustment of longitudinal and lateral slide for attaching the Transfer Board (Siemens product) with coupling points for the Combi Dockable Table (Siemens product). Dimensions for tabletop with on-floor mounted column.

- Maximum load: 352.7 lbs (160 kg)
- Longitudinal slide: 17.9 in (455 mm)
- Lateral slide: ± 3 in (± 85 mm)

Operating table top PTS Combi Suite U · Part # 1742297



### TruSystem® MR Neuro Tabletop

Dimensions for tabletop with on-floor mounted column.

- Patient weight capacity: 397 lbs (180 kg)
- Longitudinal slide: 18.6" (472 mm)
- Trendelenburg / reverse Trendelenburg: ± 45°
- Tilt: ± 30°
- Lateral slide: 9.8" (25 cm) (4.9" (12.5 cm) to the right and left from the level position)
- Adjustment of lower back section joints: 30° upwards
- Dimensions (LxW): 103.6" x 17.7" - 21.3" (2631 mm x 450 mm - 540 mm)

Operating Tabletop MR Neuro · Part # 2064888



## TruSystem® Carbon Spine Tabletop with Standard Positioning Package

---

One-part operating tabletop made of carbon fiber bars with electrically motorized adjustment of longitudinal shift and coupling point at the head end for attaching head positioning accessories.

- Patient weight capacity: 496 lbs (225 kg)
- X-ray area: 64.6" x 17" (1640 mm x 432 mm)
- Longitudinal shift: 31.5" (800 mm) (fixed)
- Dimensions (LxW): 80.7" x 17" (2050 mm x 432 mm)

*Includes:* (1) Carbon Spine Tabletop, 2065423

(6) Supine Accessory Top 12", 2066007

(6) Supine Accessory Top Pad 2", 2066008

(1) Supine Filler Top 8", 112069

(1) Supine Filler Top 8" Pad 2", 112070

(1) Advance Chest Support w/ Pad, 2066000

(2) Advance Hip Support (Medium) w/ Pad, 2066001

(2) Advance Hip Support (Large) w/ Pad, 2066003

(1) Advance Thigh Support w/Pad - left, 2066005

(1) Advance Thigh Support w/Pad - right, 2066006

(1) Sling Support, 2066015

(1) Allen Advance Pillow - Standard, 2065998

(1) Advance Head Plate, 2065999

(3) Accessory Rail Clamp, Carbon Spine, 2067212

(2) Rail Top Armboard Rail, 2066009

(2) Advance Arm Support, 2066014

(1) Foam Head Block, Disposable, case, 2016441

(1) Foam Arm Supports, 2066016

(1) Ultra Comfort Covers, Medium, 2016446

(1) Ultra Comfort Covers, Large, 2016448

(1) Medium Security Strap, w/ Pad, 2068137

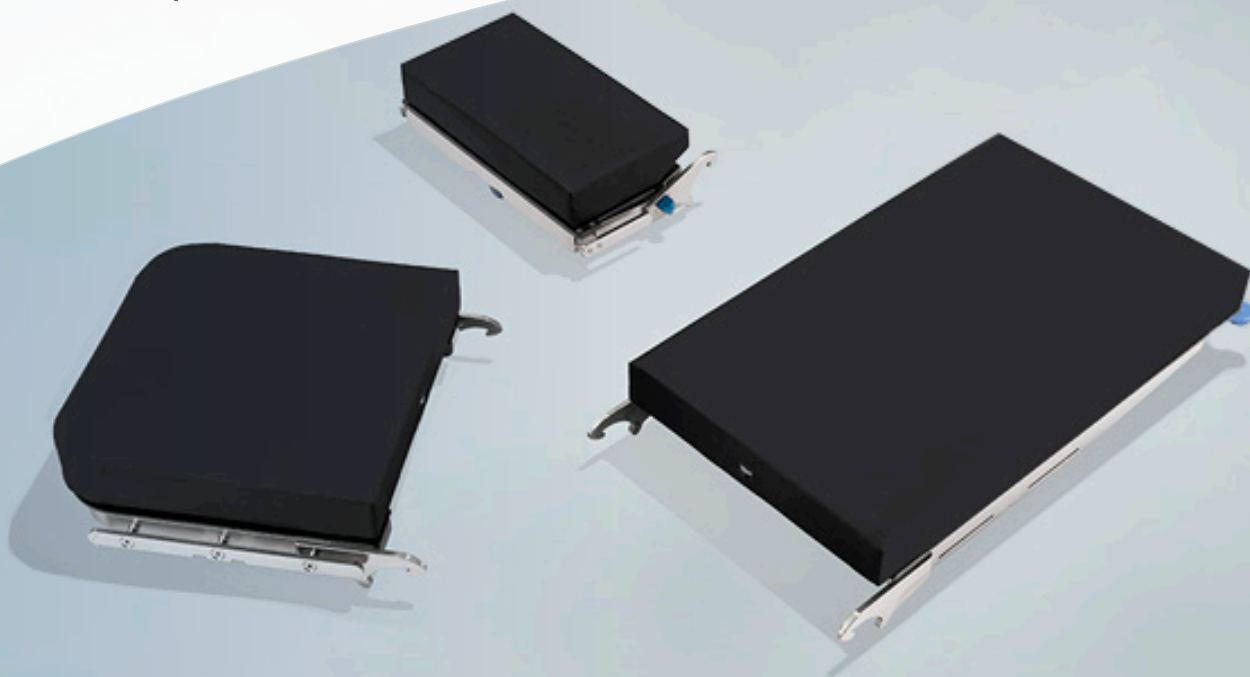
---

Operating Tabletop Pediatrics U · Part # 1340395

---



# Table Components

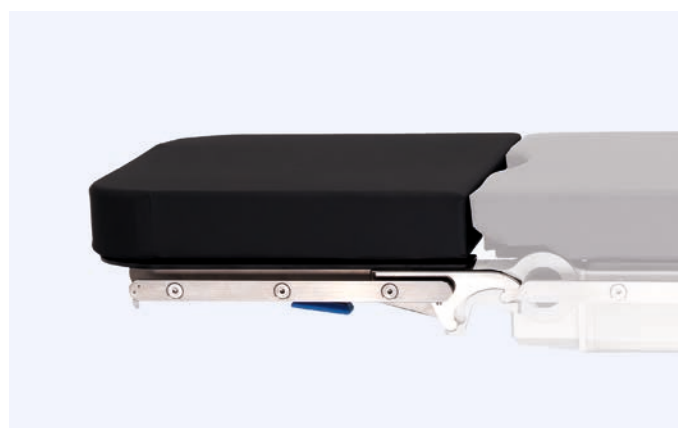


Head Section, Double Joint

Dual articulating headrest featuring formed pad with concave indentation to support the head and integral x-ray cassette channel. Standard Component for 7000, 7000dV Surgical Tables. Attaches to TruSystem hook/coupling point system. Connects to the Small (S) coupler - Refer to Compatibility Reference Chart in Index.

- Adjustment range: Upper Joint +45° / -30°; Lower Joint: +45°
- Dimensions (LxWxH): 15.3" x 24.6" x 3.74" (389 mm x 625 mm x 95 mm)
- Siderail dimensions (LxW): 1.12" x 0.37" (28.6 mm x 9.5 mm)
- Weight capacity: 1,000 lbs (454 kg) when complying with the conditions that apply for the operating table
- Load-bearing structure made of stainless steel and hardened aluminum
- Radiolucent
- Compatible with TruSystem 7000, 7000dV and 7500 Surgical Tables
- Replacement pad: 1764878

Head Section Double Joint H U V · Part # 1853828



Leg Section, One-Part

Leg section featuring integral handle to easily carry at your side. Standard Component for 7000, 7000dV Surgical Tables. Attaches to TruSystem hook/coupling point system. Connects to the Large (L) coupler - Refer to Compatibility Reference Chart in Index.

- Width of X-ray area: 15.3" (389 mm)
- Dimensions (LxWxH): 24.2" x 23.6" x 3.5" (615 mm x 600 mm x 89 mm)
- Siderail dimensions (LxW): 1.12" x 0.37" (28.6 mm x 9.5 mm)
- Weight capacity: 1,000 lbs (454 kg) when complying with the conditions that apply for the operating table
- Load-bearing structure made of hardened aluminum
- Radiolucent
- Compatible with TruSystem 7000, 7000dV and 7500 Surgical Tables
- Replacement pad: 1756392

Leg Section One-Part H U · Part # 1739969



### Leg Section, Split Two-Parts

Attaches to TruSystem hook/coupling point system. Connects to the Medium (M) coupler - Refer to Compatibility Reference Chart in Index.

- Dimensions (LxW): 32.3" x 11.5" (820 mm x 292 mm)
- Siderail dimensions (LxW): 1.12" x 0.37" (28.6 mm x 9.5 mm)
- Weight capacity: 1,000 lbs (454 kg) in standard articulation when complying with the conditions that apply for the operating table
- Adjustment range joints: 90° and 45°
- Load-bearing structure made of aluminum
- Radiolucent (between the siderails)
- Compatible with TruSystem 7000, 7000dV and 7500 Surgical Tables
- Replacement pad options: Pads with Uro Cutout, 2012542; Pads without Uro Cutout, 1809671

Leg Section Two Parts Spread Joint H U · Part # 1739991

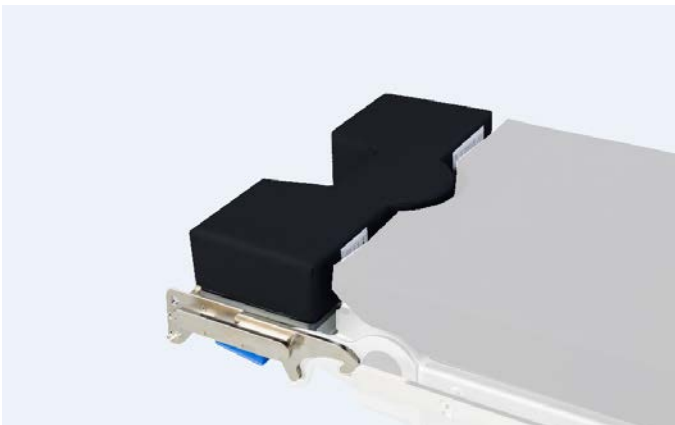


### Leg Section, Split Four-Parts

Attaches to TruSystem hook/coupling point system. Adjustable up to three inches with two stop positions. Medium (M) coupler - Refer to Compatibility Reference Chart in Index.

- Dimensions (LxWxH): 32" x 11" x 6.3"
- Siderail dimensions (LxW): 1.12" x .37"
- Weight capacity: 1,000 lbs (454 kg) in standard articulation when complying with the conditions that apply for the operating table
- Load-bearing structure made of aluminum
- Radiolucent (between the siderails)
- Compatible with TruSystem 7000, 7000dV and 7500 Surgical Tables
- Replacement pad: 1851579

Leg Section Four Parts Spreadable H U V · Part # 1853829



### Pelvic Section Extension

Attaches to the TruSystem hook/coupling point system for an extension of 12" (305 mm). Connects to Medium (L) coupler - Refer to Compatibility Reference Chart in Index.

- Dimensions (LxWxH): 12.05" x 23.66" x 3.94" (306 mm x 601 mm x 100 mm)
- Siderail dimensions (LxW): 1.1" x 0.4" (28.6 mm x 10 mm)
- Load capacity: 496 lbs (250 kg) when complying with the conditions that apply for the operating table
- Load-bearing structure made of stainless steel
- Radiolucent
- Compatible with TruSystem 7000, 7000dV and 7500 Surgical Tables
- Replacement pad: 1909819

*Optional:* Lightweight Transfer Board, 2012543

Pelvic Section Extension H V U · Part # 1909820



### Lightweight Transfer Board

Positioning board used for pre- and post-operative lithotomy positioning. Attaches to TruSystem hook/coupling point system. Connects to the Medium (M) coupler - Refer to Compatibility Reference Chart in Index.

- Dimensions (LxWxH): 40.2" x 22" x 3.4" (1020 mm x 560 mm x 86 mm)
- Weight capacity: 297.6 lbs (135 kg) when complying with the conditions that apply for the operating table
- Radiolucent
- Compatible with TruSystem 7000, 7000dV and 7500 Surgical Tables
- Replacement pad: 1783522

Lightweight Transfer Board · Part # 2012543

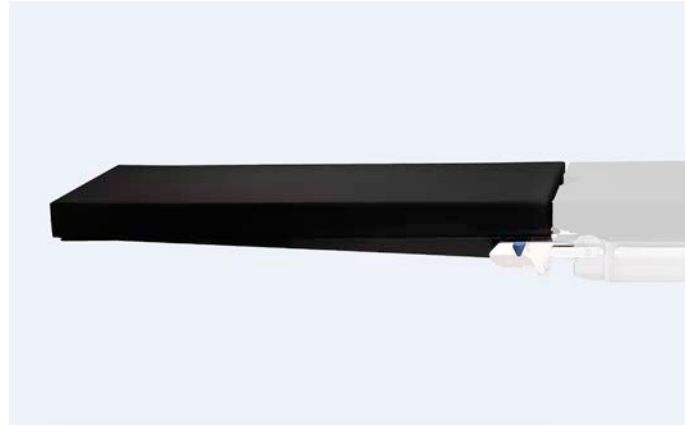


### TruSystem® Tabletop Segment Carbon 600

Attaches to TruSystem hook/coupling point system. Connects to the Large (L) coupler - Refer to Compatibility Reference Chart in Index.

- Dimensions (LxWxH): 27.2" x 24.4" x 3.5" (690 mm x 620 mm x 90 mm)
- Length from coupling point to end of table top: 19" (480 mm)
- Patient weight capacity: 352 lbs (160 kg) when complying with the conditions that apply for the operating table
- Made of carbon fiber, coupling point made of stainless steel
- 360° Radiolucent
- Compatible with TruSystem 7000, 7000dV and 7500 Surgical Tables
- Replacement pad: 1770133

Tabletop Segment Carbon 600 U H · Part # 1739992



### TruSystem® Tabletop Segment Carbon 1200

Attaches to the TruSystem hook/coupling point system for 360° radiolucence. Connects to Large (L) coupler - Refer to Compatibility Reference Chart in Index. Pad included.

- Dimensions (LxWxH): 51.2" x 24.4" x 3.6" (1300 mm x 620 mm x 90 mm)
- Carbon length: 47.23" (1200 mm)
- Patient weight capacity in normal orientation: 353 lbs when complying with the conditions that apply for the operating table
- Made of carbon board; stainless steel hook/couplers
- 360° Radiolucent
- Replacement pad: 1851580

Tabletop Segment Carbon 1200 H V · Part # 1850989



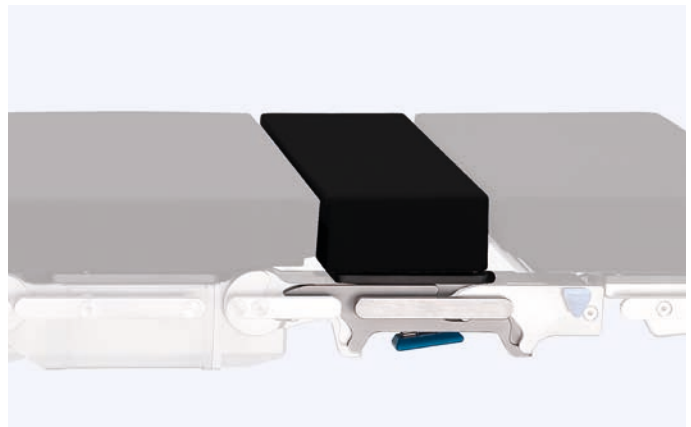
### Shoulder Chair H, Coupler Mounted

Attaches to TruSystem hook/coupling point system, powered by the leg section drive. Two removable shoulder panels for optimal access. Includes head support, lateral brace and pad set. Connects to the Large (L) coupler in reverse patient orientation - Refer to Compatibility Reference Chart in Index.

- Patient weight capacity: 500 lbs
- Radiolucent
- Compatible with TruSystem 7000, 7000dV and 7500 Surgical Tables

*Optional:* Disposable Facemask, 111608 (case of 12); Disposable Head and Chin Strap, 111607 (case of 12); Shoulder Chair Dolly, 111606; Pad Knee Flex, 111552

Shoulder Chair H (Coupler Mounted) · Part # 2009875



### Upper Back Section

Attaches to TruSystem hook/coupling point system.

- Length: 12" (305 mm)
- Made of stainless steel
- Weight capacity: 881.85 (400 kg) when complying with the conditions that apply for the operating table
- Compatible with TruSystem 7500 Surgical Tables
- Replacement pad: 1909831

Upper Back Section H V U · Part # 1909813





## Cladding Protection

---

Snaps around the base of the table via magnetic clasp to protect the space the cladding needs when adjusting the height of your TruSystem mobile table.

- Dimensions (L x W): 15.9" x 17.8" x 2.4" (40.3 cm x 45.2 cm x 6 cm)
- Made of stainless steel
- Compatible with TruSystem 7500, 7000 and 7000dV Surgical Tables

---

Cladding Protection · Part # 2069528

---

# Components & Accessories

## Contents

Head Supports	20
Body Supports	24
Leg Supports	28
Arm Supports	32
Siderails, Clamps & Trays	36
Carbon Components & Accessories	40
Positioning & Single-use Accessories	46
Control Options & Cords	52
Shuttles & Carts	56





Head Supports

Body Supports

Leg Supports

Arm Supports

Siderails, Clamps & Trays

Carbon Components & Accessories

Positioning & Single-use Accessories

Control Options & Cords

Shuttles & Carts

Specialty Applications

Index

# Head Supports



## Head Section, Double Joint

Dual articulating headrest featuring formed pad with concave indentation to support the head and integral x-ray cassette channel. Standard Component for 7000, 7000dV Surgical Tables. Attaches to TruSystem hook/coupling point system. Connects to the Small (S) coupler - Refer to Compatibility Reference Chart in Index.

- Adjustment range: Upper Joint +45° / -30°; Lower Joint: +45°
- Dimensions (LxWxH): 15.3" x 24.6" x 3.74" (389 mm x 625 mm x 95 mm)
- Siderail dimensions (LxW): 1.12" x 0.37" (28.6 mm x 9.5 mm)
- Weight capacity: 1,000 lbs (454 kg) when complying with the conditions that apply for the operating table
- Load-bearing structure made of stainless steel and hardened aluminum
- Radiolucent
- Compatible with TruSystem 7000, 7000dV and 7500 Surgical Tables
- Replacement pad: 1764878

Head Section Double Joint H U V · Part # 1853828



## Radiolucent Head Section

Wide, radiolucent head section that is compatible with various imaging adapters.

- Dimensions (LxW): 8" x 21" (200 mm x 530 mm)
- Made of carbon fiber
- Radiolucent
- Compatible with TruSystem 7000, 7000dV and 7500 Surgical Tables
- Replacement pad: 111269

Head Section X-ray Wide T · Part # 1424577



### Radiolucent Helmet

Fully radiolucent, attaches to various imaging adapters. Two straps ensure safe positioning and lateral support for the head. Adjustable to various head sizes ranging from pediatric to adults.

- Made of a hard plastic (Polyoxymethylen (POM))
- Radiolucent
- Compatible with TruSystem 7000, 7000dV and 7500 Surgical Tables

*Requires: Radiolucent Adapter*



### Radiolucent Skull Clamp

Radiolucent Cranial Skull Clamp with three-point fixation for head support used for neuro/spinal surgeries.

- Dimensions (LxWxH): 12" - 16" x 5" x 14"
- Made of radiolucent material
- Radiolucent
- MRI conditional
- Compatible with TruSystem 7000, 7000dV and 7500 Surgical Tables

*Skull Clamp is part of an interchangeable system. Can be used with Radiolucent Swivel Adapter (part 1317786) or Interface Skull Clamp LP (Biopsy Arm) (part 1835762). For MRI compatibility, must be used with DORO LUCENT® Parallelogram Adapter, manufactured and sold by DORO.*

Skull Clamp X-ray · Part # 1317569



### Radiolucent Horseshoe Headrest

Radiolucent, horseshoe shaped headrest; attaches to all radiolucent adapters.

- Adjustment range: 45°
- Dimensions (LxWxH): 8" x 10" x 4" (200 mm x 250 mm x 100 mm)
- Made of carbon fiber
- Radiolucent
- Compatible with TruSystem 7000, 7000dV and 7500 Surgical Tables

Headrest X-ray · Part # 1300662



### Horseshoe Headrest, Two-Part

Attaches to connection holder via integral clamps; adjustable to head size.

- Dimensions (LxW): 7" x 7" (180 mm x 180 mm)
- Load-bearing structure made of stainless steel
- Compatible with TruSystem 7000, 7000dV and 7500 Surgical Tables

Headrest Horseshoe-shaped Two Parts · Part # 4549732



## Skull Clamp

Attaches to Skull Clamp Adapter (1218969) or Interface Skull Clamp AL (1866513) for stable and precise three-point skull fixation with skull pins.

- Made of aluminum
- Compatible with TruSystem 7000, 7000dV and 7500 Surgical Tables
- Manufactured by Pro Med Instruments GmbH

Skull Clamp · Part # 1218968



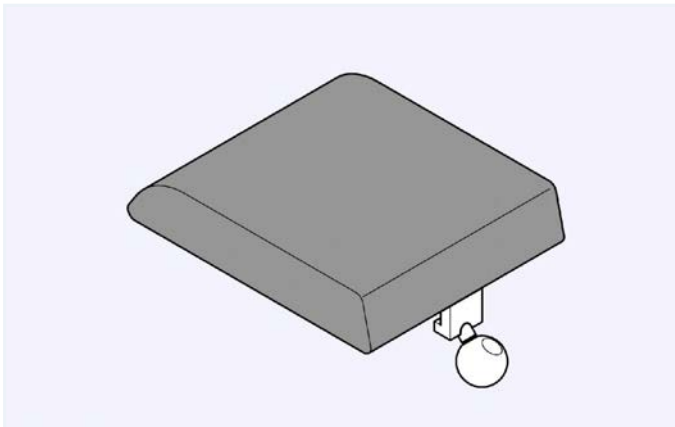
## Horseshoe Headrest, Adult

Horseshoe shaped headrest designed for prone or supine positioning for adult-sized patients. Features extension bar for skull traction and durable comfort gel pads. Connects to Swivel Adapter (1218969).

- Made of cast aluminum
- Compatible with TruSystem 7000, 7000dV and 7500 Surgical Tables

Headrest for Adults · Part # 1218974 (pictured)

Headrest for Children · Part # 1218973



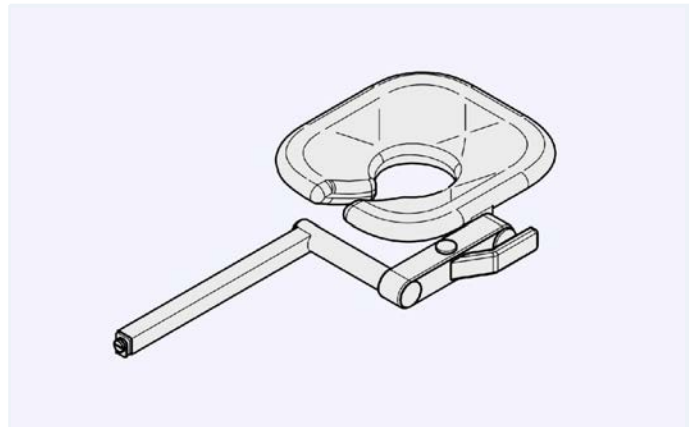
## Headrest, Narrow

Designed for Ophthalmology and ENT procedures. Headrest attaches to Connection Holder with Joint Short (4544733) as well as Retainer for Headrests Vario (1300079). Integral clamp.

- Dimensions (LxW): 10" x 8" (250 mm x 200 mm)
- Load-bearing structure made of stainless steel
- Compatible with TruSystem 7000, 7000dV and 7500 Surgical Tables

*Requires:* Connection Holder with Joint Short, 4544733 or Connection Holder with Joint, 4544729 and Joint Short, 4544733

Headrest Basic · Part # 4549730



## Headrest Flat 20

Attaches to Retainer for Headrests Vario (1300079). Optimal for ENT and Ophthalmology procedures.

- Compatible with TruSystem 7000, 7000dV and 7500 Surgical Tables

*Requires:* Retainer for Headrests Vario, 1300079

Headrest Flat 20 · Part # 1256701

Index

Specialty Applications

Shuttles & Carts

Control Options & Cords

Positioning & Single-use Accessories

Carbon Components & Accessories

Siderails, Clamps & Trays

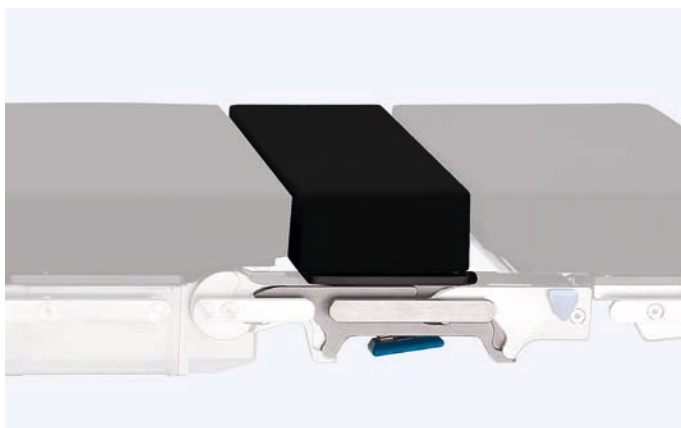
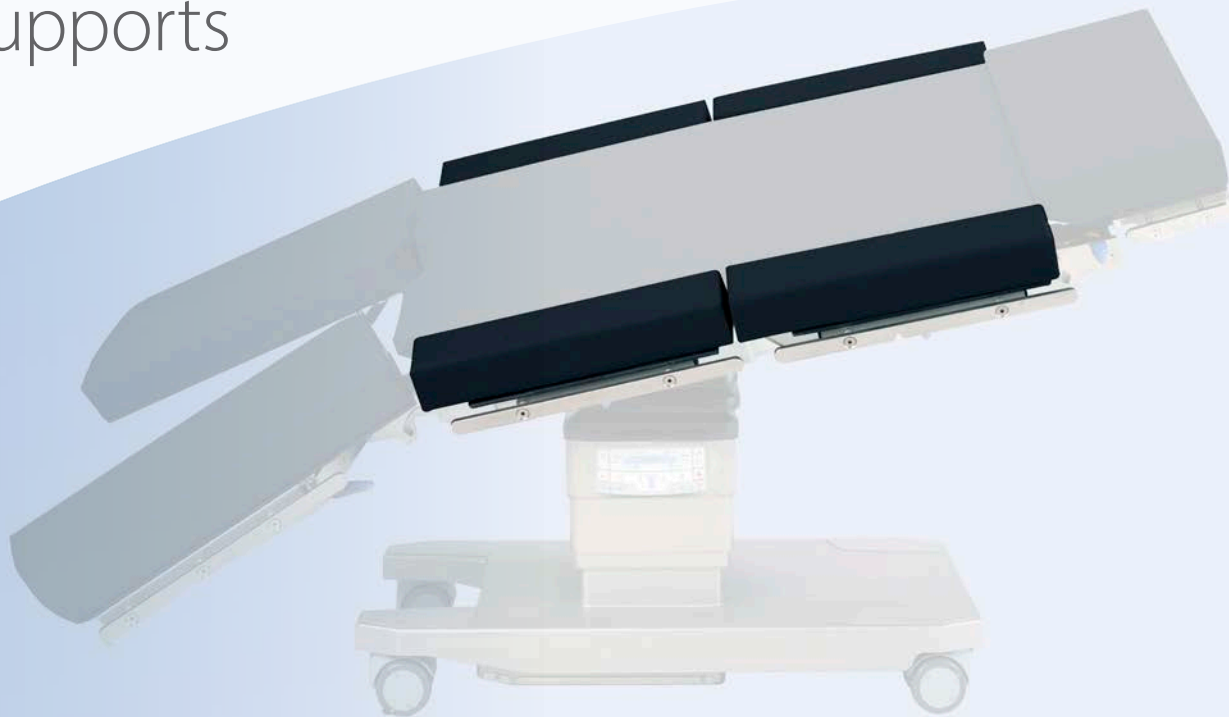
Arm Supports

Leg Supports

Body Supports

Head Supports

# Body Supports

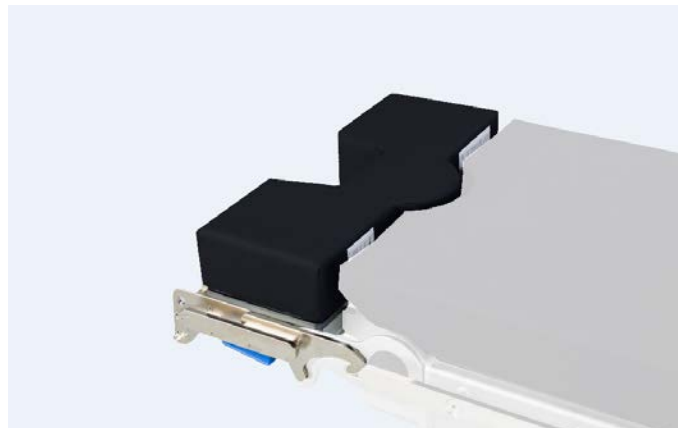


## Upper Back Section

Attaches to TruSystem hook/coupling point system.

- Length: 12" (305 mm)
- Made of stainless steel
- Weight capacity: 881.85 (400 kg) when complying with the conditions that apply for the operating table
- Compatible with TruSystem 7500 Surgical Tables
- Replacement pad: 1909831

Upper Back Section H V U · Part # 1909813



## Pelvic Section Extension

Attaches to the TruSystem hook/coupling point system for an extension of 12" (305 mm). Connects to Medium (L) coupler - Refer to Compatibility Reference Chart in Index.

- Dimensions (LxWxH): 12.05" x 23.66" x 3.94" (306 mm x 601 mm x 100 mm)
- Siderail dimensions (LxW): 1.1" x 0.4" (28.6 mm x 10 mm)
- Load capacity: 496 lbs (250 kg) when complying with the conditions that apply for the operating table
- Load-bearing structure made of stainless steel
- Radiolucent
- Compatible with TruSystem 7000, 7000dV and 7500 Surgical Tables
- Replacement pad: 1909819

*Optional:* Lightweight Transfer Board, 2012543

Pelvic Section Extension H V U · Part # 1909820





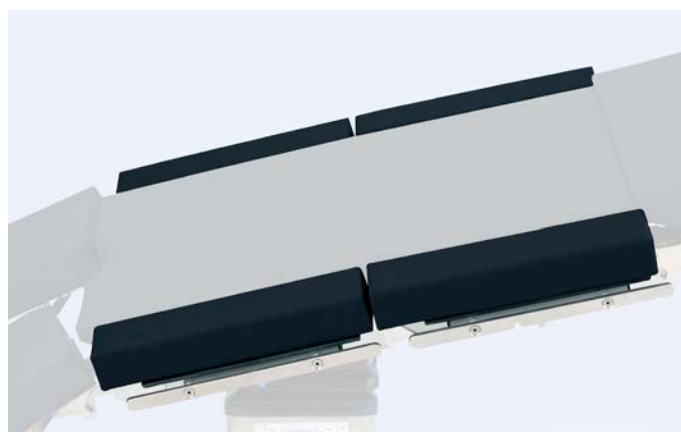
### Shoulder Chair, Coupler Mounted

Attaches to TruSystem hook/coupling point system, adjusted via integral table motors through table remote control. Two removable shoulder panels for optimal access. Includes head support, lateral brace and pad set. Connects to the Large (L) coupler in reverse patient orientation - Refer to Compatibility Reference Chart in Index.

- Patient weight capacity: 500 lbs
- Radiolucent
- Compatible with TruSystem 7000, 7000dV and 7500 Surgical Tables

*Optional:* Disposable Facemask, 111608 (case of 12); Disposable Head and Chin Strap, 111607 (case of 12); Shoulder Chair Dolly, 111606; Pad Knee Flex, 111552

Shoulder Chair H (Coupler Mounted) · Part # 2009875

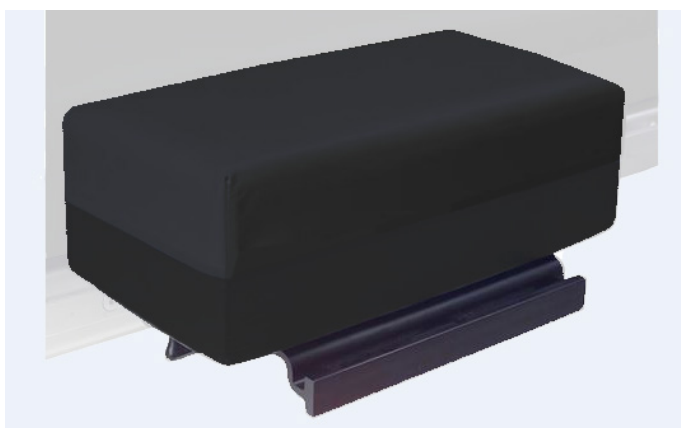


### Width Extender, Pair

Connect to the siderails on the back, seat and foot sections via integral clamp. The set of extenders add width of 10" to table, totaling 33.6".

- Dimensions (LxWxH): 22" x 5" x 6" (560 mm x 125 mm x 150 mm)
- Max load capacity: 55 lbs per side
- Load-bearing structure made of stainless steel
- Compatible with TruSystem 7000, 7000dV and 7500 Surgical Tables
- Replacement pad: 111250

Width Extender for TruSystem Tables (pair) · Part # 1255814



### Bariatric Table Width Extender, Pair

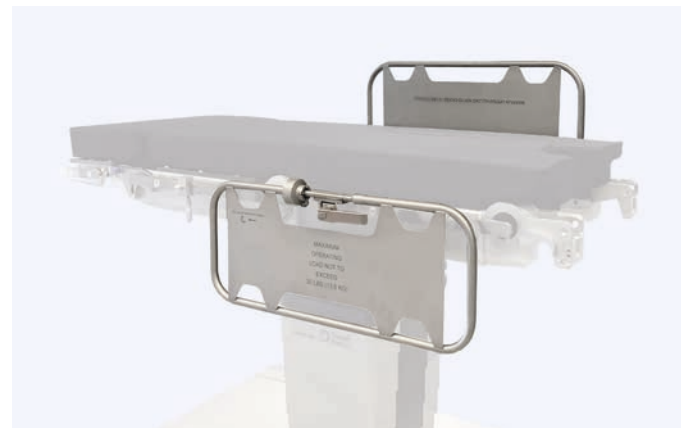
Increases support surface of surgical table by 8" on each side. Attaches to siderails associated with the back, seat, and leg sections. Short extender provides space on table rail for weight-bearing accessories.

- Patient weight capacity: 1,000 lbs
- Compatible with TruSystem 7000, 7000dV and 7500 Surgical Tables

*Requires:* Bariatric Table Width Expender Pads, call customer service to order, no set part number.

Bariatric Table Width Extender, 8" x 11" · Part # F-80150

Bariatric Table Width Extender, 8" x 15" · Part # F-80100



### Side Guard, Pair

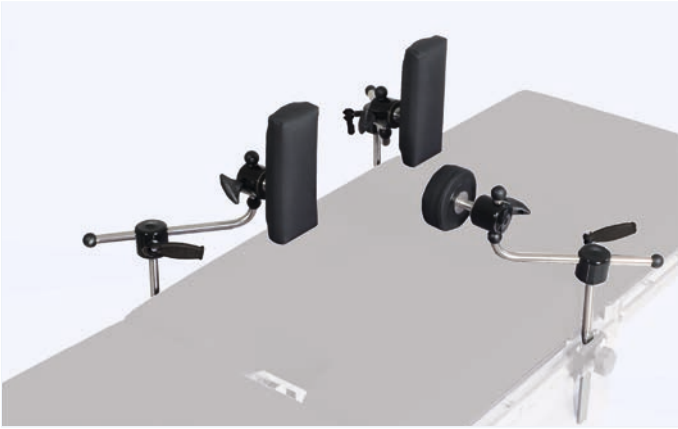
Attaches to siderail of back or seat section via integral clamp. Pull-to-release for 90, 180, -90 articulation.

- Made of stainless steel
- Dimensions (LxWxH): 28.3" x 10.4" x 1.6" (720 mm x 265 mm x 40 mm)
- Maximum load capacity: 88.2 lbs per side (40 kg)
- Compatible with TruSystem 7000, 7000dV and 7500 Surgical Tables

*Optional:* Side Guard Pad · Part # 1479197

Side Guard Pair · Part # 4544434

Pad for Side Guard · Part # 1479197



## Universal Patient Braces

Stabilizes patients for lateral procedures. Braces swivel to ensure proper support.

- Weight capacity: 400 lbs
- Made of stainless steel
- Compatible with TruSystem 7000, 7000dV and 7500 Surgical Tables

*Includes:* 2 Single Rectangular Supports (F-UPBL3S) and 1 Single Circular Support (F-UPBLC)

*Requires:* Easy Lock, Blade Clamp, 111426

Universal Patient Braces (3-piece set) · Part # F-UPBL3S



## Single Rectangular Support

Stabilizes patients for lateral procedures. Braces swivel to ensure proper support.

- Weight capacity: 400 lbs
- Made of stainless steel
- Compatible with TruSystem 7000, 7000dV and 7500 Surgical Tables

*Requires:* Easy Lock, Blade Clamp, 111426

Single Rectangular Support (single) · Part # F-UPBLR



## Single Circular Support

Stabilizes patients for lateral procedures. Braces swivel to ensure proper support.

- Weight capacity: 400 lbs
- Made of stainless steel
- Compatible with TruSystem 7000, 7000dV and 7500 Surgical Tables

*Requires:* Easy Lock, Blade Clamp, 111426

Single Circular Support (single) · Part # F-UPBLC

Index

Specialty Applications

Shuttles & Carts

Control Options & Cords

Positioning & Single-Use Accessories

Carbon Components & Accessories

Siderails, Clamps & Trays

Arm Supports

Leg Supports

Body Supports

Head Supports

# Leg Supports

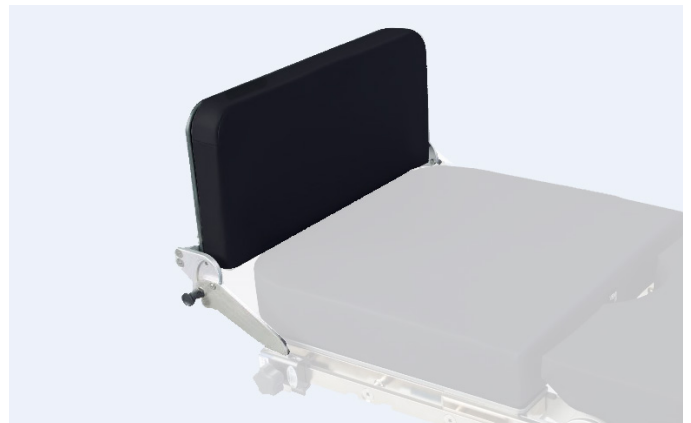


## Leg Section, One-Part

Leg section featuring integral handle to easily carry at your side. Standard Component for 7000, 7000dV Surgical Tables. Attaches to TruSystem hook/coupling point system. Connects to the Large (L) coupler - Refer to Compatibility Reference Chart in Index.

- Width of X-ray area: 15.3" (389 mm)
- Dimensions (LxWxH): 24.2" x 23.6" x 3.5" (615 mm x 600 mm x 89 mm)
- Siderail dimensions (LxW): 1.12" x 0.37" (28.6 mm x 9.5 mm)
- Weight capacity: 1,000 lbs (454 kg) when complying with the conditions that apply for the operating table
- Load-bearing structure made of hardened aluminum
- Radiolucent
- Compatible with TruSystem 7000, 7000dV and 7500 Surgical Tables
- Replacement pad: 1756392

Leg Section One-Part H U · Part # 1739969



## Rotatable Footboard

Mounts vertically to siderails via clamps as a foot support when using reverse Trendelenburg, rotates to use as a table extension.

- Adjustable in width: 22.53" to 24.88" (572.26 mm x 631.95 mm)
- Weight capacity: 500 lbs
- Radiolucent
- Compatible with TruSystem 7000, 7000dV and 7500 Surgical Tables
- Replacement pad: 112066

*Requires:* (2) Rail Clamp, Simple, 20-2001006 or (2) Easy Lock, Blade Clamp, 111426

Foot Support, One-Part; Rotatable · Part # 111618



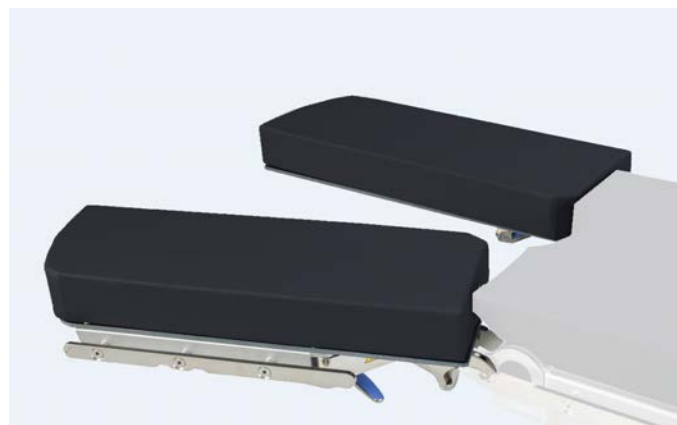
### Adjustable Footboard

Mounts to siderails via two clamps. Mounts vertically as a foot support when using reverse Trendelenburg.

- Adjustable width accommodates outsiderail dimensions of 21" to 23.25"
- Weight capacity: 500 lbs
- Made of stainless steel
- Radiolucent
- Compatible with TruSystem 7000, 7000dV and 7500 Surgical Tables
- Replacement pad: 112067

*Requires:* (2) Rail Clamp, Simple, 20-2001006 or (2) Easy Lock, Blade Clamp, 111426

Foot Support, One-Part; Adjustable · Part # 111932



### Leg Section, Split Two-Parts

Attaches to TruSystem hook/coupling point system. Connects to the Medium (M) coupler - Refer to Compatibility Reference Chart in Index.

- Dimensions (LxW): 32.3" x 11.5" (820 mm x 292 mm)
- Siderail dimensions (LxW): 1.12" x 0.37" (28.6 mm x 9.5 mm)
- Weight capacity: 1,000 lbs (454 kg) in standard articulation when complying with the conditions that apply for the operating table
- Adjustment range joints: 90° and 45°
- Load-bearing structure made of aluminum
- Radiolucent (between the siderails)
- Compatible with TruSystem 7000, 7000dV and 7500 Surgical Tables
- Replacement pad options: Pads with Uro Cutout, 2012542; Pads without Uro Cutout, 1809671

Leg Section Two Parts Spread Joint H U · Part # 1739991



### Leg Section, Split Four-Parts

Attaches to TruSystem hook/coupling point system. Adjustable up to three inches with two stop positions. Medium (M) coupler - Refer to Compatibility Reference Chart in Index.

- Dimensions (LxWxH): 32" x 11" x 6.3"
- Siderail dimensions (LxW): 1.12" x .37"
- Weight capacity: 1,000 lbs (454 kg) in standard articulation when complying with the conditions that apply for the operating table
- Load-bearing structure made of aluminum
- Radiolucent (between the siderails)
- Compatible with TruSystem 7000, 7000dV and 7500 Surgical Tables
- Replacement pad: 1851579

Leg Section Four Parts Spreadable H U V · Part # 1853829



### Split Leg Footboard

Attach to siderails through integral clamps. Adjustable at pivot points. Mounts vertically as a foot support when using reverse Trendelenburg.

- Dimensions (LxWxH): 16" x 13" x 3" (430 mm x 340 mm x 80 mm)
- Weight capacity: 88 lbs per side (40 kg)
- Made of stainless steel
- Radiolucent
- Compatible with TruSystem 7000, 7000dV and 7500 Surgical Tables

Foot Support, Two Parts · Part # 1265545



### TruSystem® Tabletop Segment Carbon 600

Attaches to TruSystem hook/coupling point system. Connects to the Large (L) coupler - Refer to Compatibility Reference Chart in Index.

- Dimensions (LxWxH): 27.2" x 24.4" x 3.5" (690 mm x 620 mm x 90 mm)
- Length from coupling point to end of table top: 19" (480 mm)
- Patient weight capacity: 352 lbs (160 kg) when complying with the conditions that apply for the operating table
- Made of carbon fiber, coupling point made of stainless steel
- 360° Radiolucent
- Compatible with TruSystem 7000, 7000dV and 7500 Surgical Tables
- Replacement pad: 1770133

Tabletop Segment Carbon 600 U H · Part # 1739992



### TruSystem® Tabletop Segment Carbon 1200

Attaches to the TruSystem hook/coupling point system for 360° radiolucence. Connects to Large (L) coupler - Refer to Compatibility Reference Chart in Index. Pad included.

- Dimensions (LxWxH): 51.2" x 24.4" x 3.6" (1300 mm x 620 mm x 90 mm)
- Carbon length: 47.23" (1200 mm)
- Patient weight capacity in normal orientation: 353 lbs when complying with the conditions that apply for the operating table
- Made of carbon board; stainless steel hook/couplers
- 360° Radiolucent
- Replacement pad: 1851580

Tabletop Segment Carbon 1200 HV · Part # 1850989



### Lightweight Transfer Board

Positioning board used for pre- and post-operative lithotomy positioning. Attaches to TruSystem hook/coupling point system. Connects to the Medium (M) coupler - Refer to Compatibility Reference Chart in Index.

- Dimensions (LxWxH): 40.2" x 22" x 3.4" (1020 mm x 560 mm x 86 mm)
- Weight capacity: 297.6 lbs (135 kg) when complying with the conditions that apply for the operating table
- Radiolucent
- Compatible with TruSystem 7000, 7000dV and 7500 Surgical Tables
- Replacement pad: 1783522

Lightweight Transfer Board · Part # 2012543



### Boot Stirrups

- Patient weight capacity: Standard - 350 lbs; Elite - 500 lbs
- Lithotomy range: +84° to -33° / Abduction range: +25° to -9°
- Compatible with TruSystem 7000, 7000dV and 7500 Surgical Tables
- Replacement pad option: F-AMA62S0.6S

*Requires:* (2) Rail Clamp, Simple, 20-2001006 or (2) Easy Lock, Blade Clamp, 111426

*Optional:* Stirrup Cart, F-30015

Standard Stirrups (pair) · Part # 110075

Elite Stirrup (pair) · Part # F-LH500



## Boot Stirrups, Heavy Duty

- Patient weight capacity: 720 lbs
- Lithotomy range: +84° to -33° / Abduction range: +25° to -9°
- Compatible with TruSystem 7000, 7000dV and 7500 Surgical Tables
- Replacement pad option: P-AMA120S0.6S-A

*Requires:* (2) Rail Clamp, Simple, 20-2001006 or (2) Easy Lock, Blade Clamp, 111426

*Optional:* Stirrup Cart, F-30015

Heavy Duty Stirrups (pair) · Part # 111950



## Foam Well-Leg Holder

Supports non-operative leg.

- Radiolucent
- Compatible with TruSystem 7000, 7000dV and 7500 Surgical Tables

*Requires:* Easy Lock Socket Clamp, 111839

Foam Well-Leg Holder · Part # H-009-00-120



## Legholder, Goepel

Adjustable lower leg support with Velcro safety strap.

- Dimensions (LxWxH): 29.97" x 14.76" x 7.87" (685 mm x 375 mm x 200 mm)
- Height adjustment range: 11.81" (300 mm)
- Weight capacity: up to 55.11 lbs (25 kg) please refer to user manual for more details
- Load-bearing structure made of stainless steel
- Radiolucent
- Compatible with TruSystem 7000, 7000dV and 7500 Surgical Tables

*Requires:* Easy Lock Socket Clamp, 111839

Leg Holder GOEPEL · Part # 4544736



## Pediatric Legholder, Goepel

Adjustable lower leg support with Velcro safety strap. Connects to siderail via Easy Lock Socket Clamp (111839).

- Dimensions (LxWxH): 20.47" x 14.17" x 3.74" (520 mm x 360 mm x 95 mm)
- Height adjustment range: 7.87" (200 mm)
- Weight capacity: up to 33.07 lbs (15 kg) please refer to user manual for more details
- Load-bearing structure made of stainless steel
- Radiolucent
- Compatible with TruSystem 7000, 7000dV and 7500 Surgical Tables

*Requires:* Easy Lock Socket Clamp, 111839

Leg Holder Goepel for Children · Part # 4544789

# Arm Supports



## Armboard Snaplock Trigger

Radiolucent armboard, one handed operation, quickly connects and releases from siderail with release of the trigger lock.

- Patient weight capacity: 400 lbs
- Compatible with TruSystem 7000, 7000dV and 7500 Surgical Tables
- Replacement pad options: 2" pad, 20-2001028; 3" Pad, 20-2001003; 4.25" pad, 111895 (standard); Clamshell 2" Armboard Pad, O-AMA96X2.05

*Associated parts:* Armboard Snaplock, Trigger (no pad), 20-2001002

Armboard Snaplock Trigger, with Pad (4.25") · Part # 111893



## Multi-Task Armboard

Adjustable arm support with Velcro safety strap. Lockable ball socket combined with 6" of horizontal travel permits a wide range of positioning flexibility. Connects to siderail via Easy Lock Socket Clamp (111839).

- Weight capacity: 500 lbs (227 kg)
- Compatible with TruSystem 7000, 7000dV and 7500 Surgical Tables
- Replacement pad option: Clamshell 2" Armboard Pad, O-AMA96X2.05

*Requires:* Easy Lock Socket Clamp, 111839

Multi-Task Armboard · Part # 112012





## Adjustable Arm Support

Attaches to siderail via integral clamp. Central knob allows for easy positioning and flexible maneuverability.

- Length: 28.4" (721.36 mm)
- Radius of movement: 22.5" (460 mm)
- Maximum load capacity: 22 lbs (4.3 kg)
- Load-bearing structure made of stainless steel
- Radiolucent
- Compatible with the 7000, 7000dV and 7500 Surgical Tabletops

*Requires:* Velcro Strap, 1333448

Fisso Armboard · Part # 2068136



## Carbon Fiber Armboard

Radiolucent armboard slides between tabletop and pad and is held in place by the weight of the patient. Consists of base plate and arm support, rotatable 180°. Folds compactly for storage.

- Base plate dimensions (LxW): 7.5" x 24" (190 mm x 610 mm)
- Arm support dimensions (LxW): 5.9" x 22.8" (150 mm x 580 mm)
- Pad height: 2.9" (75 mm)
- Weight capacity: 29.98 lbs (13.6 kg)
- Made of carbon fiber
- Radiolucent
- Compatible with TruSystem 7000, 7000dv, 7500 Surgical Tables

Carbon Fiber Armboard V · Part # 1895203



## Carbon Fiber Rectangular Hand/Arm Table

Sturdy, lightweight extension table for hand/arm procedures, radiolucent. Attaches to siderails of table via socket clamp to 2 round 5/8" posts. Can be used with or without removable leg support. Pad sold separately.

- Dimensions (LxW): 15" x 30 3/8" (381 mm x 771.53 mm)
- Weight capacity: 400 lbs (181 kg)
- Height adjustable
- Made of carbon fiber
- Radiolucent
- Compatible with TruSystem 7000, 7000dV and 7500 Surgical Tables

*Requires:*

- (2) Easy Lock Socket Clamps, 111839
- 1" Pad Rectangular Table (F-30300-Pad-1) or 2" Pad Rectangular Table (F-30300-Pad)

Carbon Fiber Rectangular Hand/Arm Table · Part # F-30450-C



## Carbon Fiber Hourglass Hand / Arm Table

Full-sized carbon fiber hand/arm table that attaches to siderails via integral clamps. Includes integral leg. Pads sold separately.

- Dimensions (LxW): 34" x 16" (863.6 mm x 406.4 mm)
- Weight capacity: 400 lbs (181 kg)
- Made of carbon fiber
- Radiolucent
- Compatible with TruSystem 7000, 7000dV and 7500 Surgical Tables

*Requires:*

- Easy Lock Socket Clamp, 111839
- 1" Pad Set for 30650-C (F-30502-1-B) or 2" Pad Set for 30650-C (F-30502-B)

Carbon Fiber Hourglass Hand / Arm Table · Part # F-30650-C



## Arm Shield

---

Shield is slid between tabletop and tabletop pad and held in place by the weight of the patient. Not suited for tables with mushroom fasteners. Slides under back section. Pad to protect arms and keep them from falling off table. The radiolucent arm shield provides a comfortable, safe platform for surgical staff to lean on without harming patient or dislodging IVs. The soft flexible pad provides comfortable cushion reducing risk of pressure related injury.

- Dimensions (WxH): 15.75" x 7" (400 mm x 180 mm)
- Made of plexiglass
- Radiolucent
- Compatible with TruSystem 7000, 7000dV and 7500 Surgical Tables
- Manufactured by Allen Amatech

---

Arm Shield · Part # 1939050

---

Index

Specialty Applications

Shuttles & Carts

Control Options & Cords

Positioning & Single-use Accessories

Carbon Components & Accessories

Siderails, Clamps & Trays

Arm Supports

Leg Supports

Body Supports

Head Supports

# Siderails, Clamps & Trays



## Easy Lock®, Socket Clamp

Attach the clamp anywhere on the operating table rail. Accepts any round post up to 11/16" or 1.8 cm diameter. Quick and easy pull-to-release lever, and wheel for accessory angle adjustments.

- Compatible with TruSystem 7000, 7000dV and 7500 Surgical Tables

Easy Lock Socket, US Rail · Part # 111839

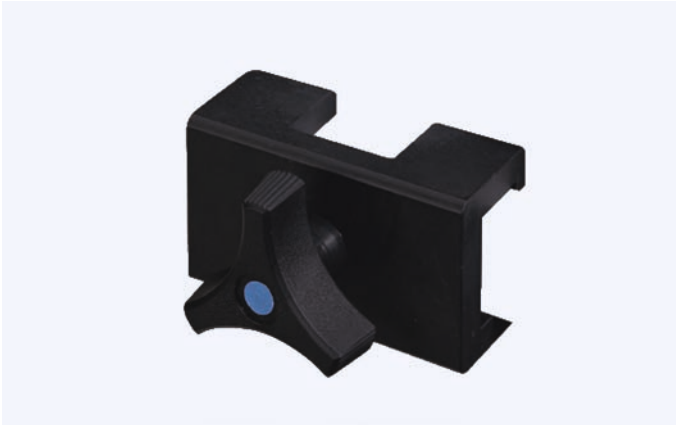


## Easy Lock® Blade Clamp

Attach clamp anywhere on operating table rail. Accepts all 1" x 1/4" (2.5 cm x 0.6 cm) accessories with flat mounting blades. Quick and easy pull-to-release lever.

- Compatible with TruSystem 7000, 7000dV and 7500 Surgical Tables

Easy Lock, Blade Clamp · Part # 111426



### Rail Clamp, Simple

Secures all accessories with flat mounted blades anywhere along the table siderail. Attaches at operating table siderail ends or notches. Accessories can be mounted either vertically or horizontally. Accepts 1" x 1/4" (2.5 cm x 0.6 cm) flat accessories.

- Weight capacity: 720 lbs
- Compatible with TruSystem 7000, 7000dV and 7500 Surgical Tables

Rail Clamp, Simple · Part # 20-2001006

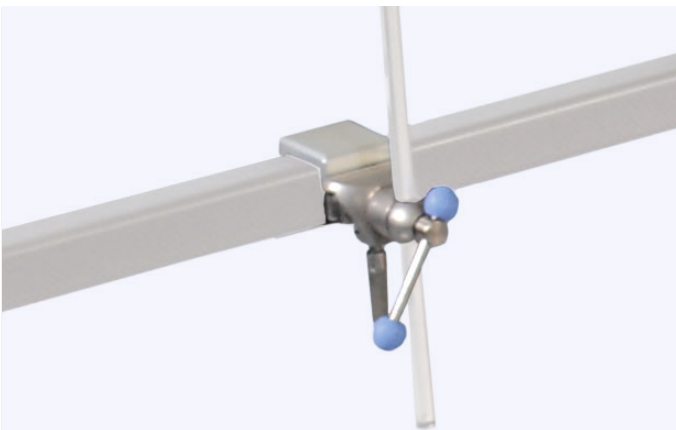


### Slotted Rail Clamp

Secures all accessories with flat mounted blades anywhere along the table siderail. Accepts 1" x 1/4" (2.5 cm x .6 cm) flat blade accessories

- Compatible with TruSystem 7000, 7000dV and 7500 Surgical Tables

Slotted Rail Clamp · Part # 111408



### Radial Setting Clamp

Clamp provides the mounting and installation of the clamp and device all at the same time. The clamp fits safely and securely to the siderail and also accepts mounting rods with diameters 0.5" - 0.7 in (15 mm - 18 mm).

- 360° adjustment
- Made of stainless steel
- Compatible with TruSystem 7000, 7000dV and 7500 Surgical Tables

Clamp Radial Setting · Part # 1218804

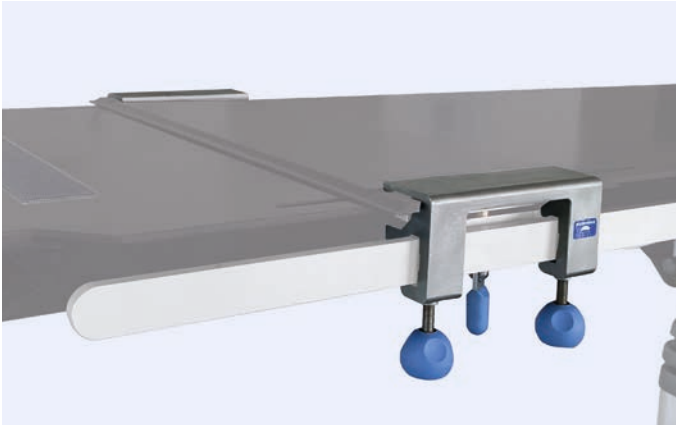


### Y-Clamp Radial Setting

Dual clamping design provides device mounting and separate height adjustment and rotation. Once the clamp is mounted onto the rail, then the accessory or arm can be installed. Once the desired height and point of rotation are determined, then the fixing screw is tightened resulting in a lock that will not lose its position. 360° adjustment; suitable for rods 0.5" - 0.7" (14 mm - 18 mm) in diameter.

- Made of stainless steel
- Compatible with TruSystem 7000, 7000dV and 7500 Surgical Tables

Y-clamp Radial Setting · Part # 4544700



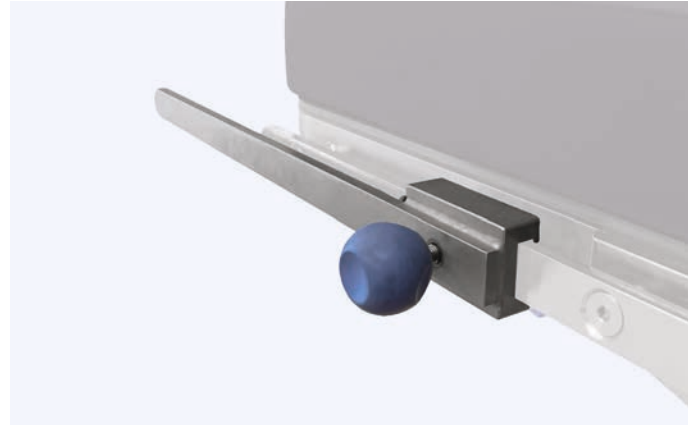
### Joint Plate Carbon Clamp, pair

Can be used with Joint Plate Carbon 520 (1266934) or Joint Plate Carbon 370 (1279867) to offer flexibility of siderails on carbon components.

- Made of stainless steel
- Compatible with TruSystem 7000, 7000dV, 7500 Surgical Tables, Carbon Components, Carbon 600, Carbon 1200, and Carbon Freefloat Tabletops

*Requires:* (1) Siderail, 4500166

Clamp Pair for Joint Plate Carbon · Part # 1272324



### Siderail Extension

Attaches to siderail via integral clamp for an additional length.

- Lengths: 8" (200 mm) and 20" (520 mm)
- Made of stainless steel
- Compatible with TruSystem 7000, 7000dV and 7500 Surgical Tables

Siderail Extension 160 · Part # 1345696

Siderail Extension U · Part # 4501001



### Siderail

For extending length or adding siderail.

- Length: 20" (520 mm)
- Dimensions: 1.12 in x 0.37 in (28.6 mm x 9.5 mm)
- Made of stainless steel
- Compatible with TruSystem 7000, 7000dV and 7500 Surgical Tables

Siderail U · Part # 4500166

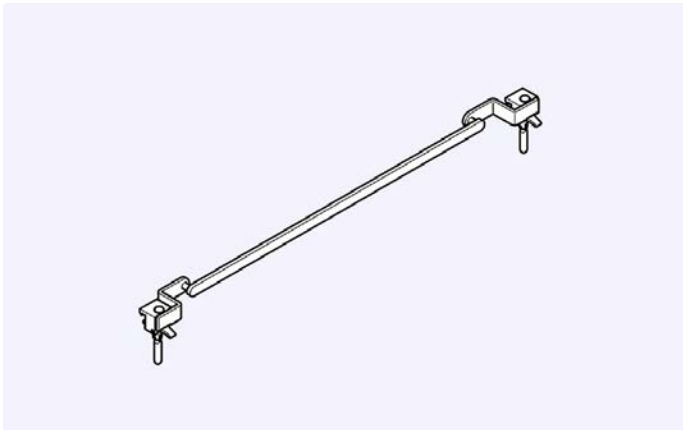


### Euro Siderail

For attaching Siemens interface controller with hybrid tabletop or connection between siderails of operating table tops. stainless steel

- Length: 20" (520 mm)
- Dimensions: 0.89 in x 0.39 in (25 mm x 10 mm)
- Made of stainless steel
- Compatible with TruSystem 7500 Surgical Tables

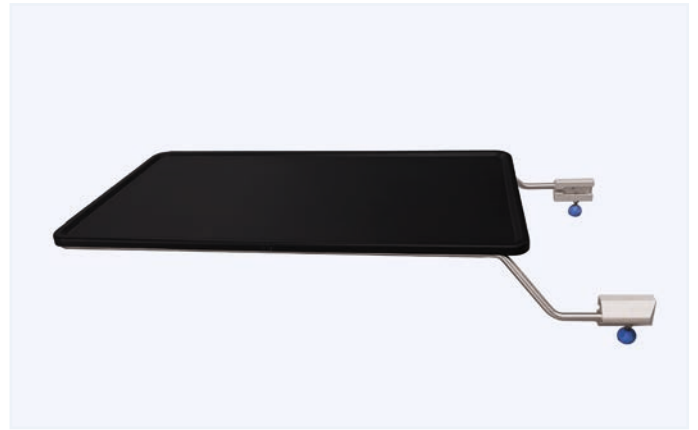
Euro Siderail · Part # 4544166



### Siderail Long, Euro

- Made of stainless steel
- Compatible with old generation TruSystem 7500 Surgical Tables (not compatible with hook coupler tables)

Siderail Long, Euro · Part # 4544536



### Extension Tray

Slides on to the end of siderails and attaches via integral clamps. Commonly used at head or foot section.

- Dimensions (L x W): 39.3" x 22" (100 mm x 560 mm)
- Compatible with Carbon Floatline Tabletop

Floatline Catheter Tray U · Part # 1814876

# Carbon Components & Accessories



## TruSystem® Tabletop Segment Carbon 600

- Attaches to TruSystem hook/coupling point system. Connects to the Large (L) coupler - Refer to Compatibility Reference Chart in Index.
- Dimensions (LxWxH): 27.2" x 24.4" x 3.5" (690 mm x 620 mm x 90 mm)
  - Length from coupling point to end of table top: 19" (480 mm)
  - Patient weight capacity: 352 lbs (160 kg) when complying with the conditions that apply for the operating table
  - Made of carbon fiber, coupling point made of stainless steel
  - 360° Radiolucent
  - Compatible with TruSystem 7000, 7000dV and 7500 Surgical Tables
  - Replacement pad: 1770133

Tabletop Segment Carbon 600 U H · Part # 1739992



## TruSystem® Tabletop Segment Carbon 1200

- Attaches to the TruSystem hook/coupling point system for 360° radiolucence. Connects to Large (L) coupler - Refer to Compatibility Reference Chart in Index. Pad included.
- Dimensions (LxWxH): 51.2" x 24.4" x 3.6" (1300 mm x 620 mm x 90 mm)
  - Carbon length: 47.23" (1200 mm)
  - Patient weight capacity in normal orientation: 353 lbs when complying with the conditions that apply for the operating table
  - Made of carbon board; stainless steel hook/couplers
  - 360° Radiolucent
  - Replacement pad: 1851580

Tabletop Segment Carbon 1200 H V · Part # 1850989





## Joint Plate Carbon with Clamps, Pair

Used with Joint Plate Carbon Clamp, pair (12722324) to offer flexibility of siderails on carbon components.

- Dimensions (LxWxH): Joint Plate Carbon 370 - 8" x 16" x 0.2" (200 mm x 420 mm x 6 mm); Joint Plate Carbon 520 - 8" x 22" x 0.2" (200 mm x 570 mm x 6 mm)
- Made of carbon fiber
- Radiolucent
- Compatible with TruSystem 7000, 7000dV and 7500 Surgical Tables

*Requires:* (1) Joint Plate Carbon Clamp, pair, 1272324

Joint Plate Carbon 370 · Part # 1279867

Joint Plate Carbon 520 · Part # 1266934 (pictured)

Clamp Pair for Joint Plate Carbon · Part # 1272324



## Carbon Fiber Armboard

Armboard slides between tabletop and tabletop pad and is held in place by the weight of the patient. Consists of base plate and arm support, rotatable 180°.

- Base plate dimensions (LxW): 7.5" x 24" (190 mm x 610 mm)
- Arm support dimensions (LxW): 5.9" x 22.8" (150 mm x 580 mm)
- Pad height: 2.9" (75 mm)
- Weight capacity: 29.98 lbs (13.6 kg)
- Made of carbon fiber
- Radiolucent
- Compatible with TruSystem 7000, 7000dV and 7500 Surgical Tables

Carbon Fiber Armboard V · Part # 1895203



## Radiolucent Head Section, Wide

Wide, radiolucent head section that is compatible with various imaging adapters.

- Dimensions (LxW): 8" x 21" (200 mm x 530 mm)
- Made of carbon fiber
- Radiolucent
- Compatible with TruSystem 7000, 7000dV and 7500 Surgical Tables
- Replacement pads: 111269

Head Section X-ray Wide · Part # 1297207



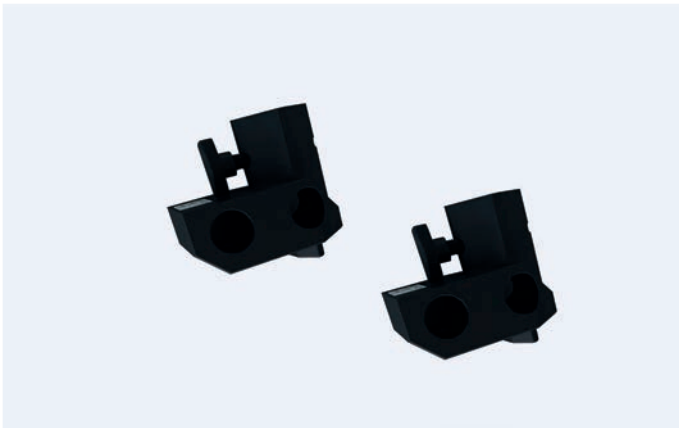
## Radiolucent Skull Clamp

Radiolucent Cranial Skull Clamp with 3-point fixation for head support. Used for neuro/spinal surgeries.

- material is compatible with CT and MRI.
- Dimensions (LxWxH): 12" - 16" x 5" x 14"
- Made of radiolucent material
- Radiolucent
- MRI conditional
- Compatible with TruSystem 7000, 7000dV and 7500 Surgical Tables
- Manufactured by Pro Med Instruments GmbH

*Skull Clamp is part of an interchangeable system. Can be used with Radiolucent Swivel Adapter (1317786) or Interface Skull Clamp LP (Biopsy Arm) (1835762). For MRI compatibility, must be used with DORO LUCENT® Parallelogram Adapter, manufactured and sold by DORO.*

Skull Clamp X-ray · Part # 1317569

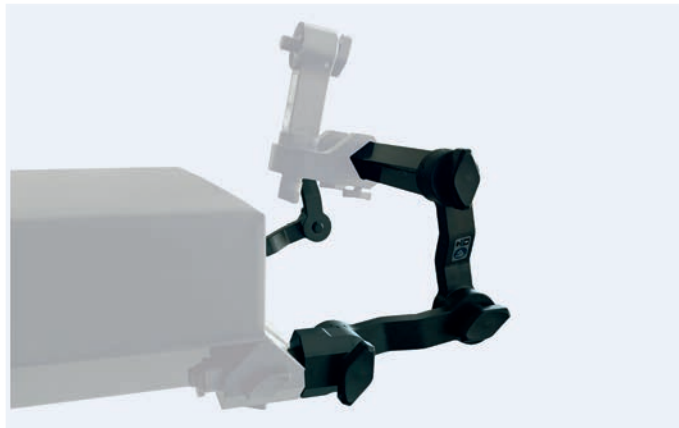


### Radiolucent Coupling Piece Low

Used for the lower head position with Radiolucent Skull Clamp (1317569).

- Made of carbon fiber
- Radiolucent
- MRI conditional
- Compatible with TruSystem 7000, 7000dV and 7500 Surgical Tables

Coupling Piece X-ray Low · Part # 1368880



### Radiolucent Adapters, Narrow

Attaches to SQ14 X-TRA UT (1581502) tabletop. This narrow adapter allows for attachment of head positioning devices and accessories.

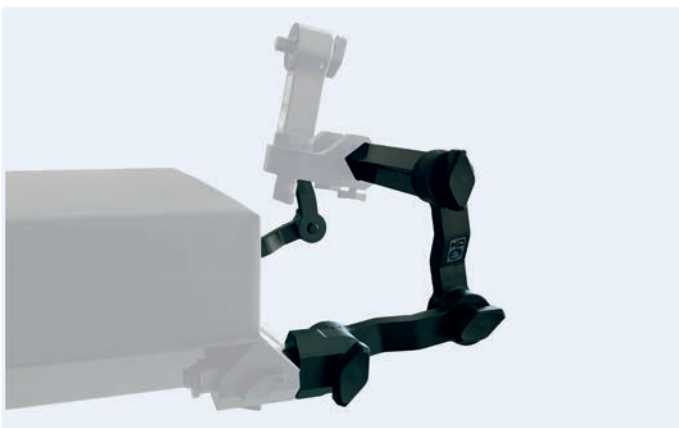
- Dimensions (LxW): 9" x 15" (250 mm x 400 mm); Double-Joint: 15" x 15" (400 mm x 400 mm); Triple Joint: 21" x 15" (550 mm x 400 mm)
- Made of carbon fiber
- Radiolucent
- Compatible with TruSystem 7500 Surgical Tables

*Requires:* SQ14 X-tra UT, 1581502

Adapter X-ray Narrow · Part # 1297206

Adapter X-ray Double Joint Narrow · Part # 1312734 (pictured)

Adapter X-ray 3-Joint Narrow · Part # 1430023



### Radiolucent Adapters, Wide

Attaches to Carbon 600, Carbon FloatLine or Carbon Spine Tabletops via the carbon coupling point connectors (included). These wide adapters allow attachment of head positioning devices and accessories.

- Dimensions (LxW): 21" x 4" (550 mm x 100 mm); Double-Joint: 21" x 4" (550 mm x 100 mm); Triple Joint: 21" x 4" (550 mm x 100 mm)
- Made of carbon fiber
- Radiolucent: Yes (X-ray, CT)
- Compatible with TruSystem 7000, 7000dV and 7500 Surgical Tables

Adapter X-ray Wide · Part # 1312733

Adapter X-ray Double Joint Wide · Part # 1312735 (pictured)

Adapter X-ray 3-Joint Wide · Part # 1430024

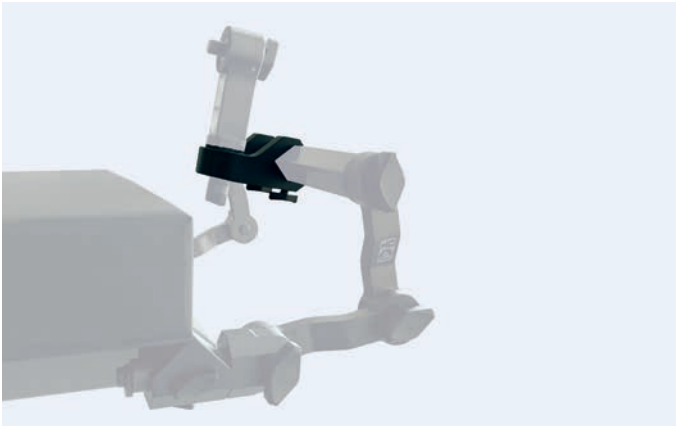


### Radiolucent Swivel Adapter

Attaches Radiolucent Skull Clamp (1317569) to Radiolucent Retainer (1345749) or as a connection piece between Interface Skull Clamp AL (1866513) and Skull Clamp (1218968).

- Made of carbon fiber
- Radiolucent: Yes (X-ray, CT); No (MRI)
- Compatible with TruSystem 7000, 7000dV and 7500 Surgical Tables

Radiolucent Swivel Adapter · Part # 1317786



### Radiolucent Retainer

Attaches to all Narrow and Wide Radiolucent Adapters and Radiolucent Swivel Adapter (1317786).

- Made of carbon fiber
- Radiolucent
- MRI conditional
- Compatible with TruSystem 7000, 7000dV and 7500 Surgical Tables

Retainer X-ray · Part # 1345749



### Interface Skull Clamp (Biopsy Arm) LP

A connection piece between Basic Unit Neuro (1218970), Skull Clamp Adapter (1218969) and Radiolucent Skull Clamp (1317569); connection of a biopsy arm possible.

- Radiolucent
- MRI conditional
- Compatible with TruSystem 7000, 7000dV and 7500 Surgical Tables
- Manufactured by Pro Med Instruments GmbH

Interface Skull Clamp (Biopsy Arm) LP · Part # 1835762



### Interface Skull Clamp AL (DBS Adapter) LP

A connection piece between the Radiolucent Swivel Adapter (1317786) and the Skull Clamp (1218968); connection of a DBS adapter possible.

- Radiolucent
- MRI conditional
- Compatible with TruSystem 7000, 7000dV and 7500 Surgical Tables
- Manufactured by Pro Med Instruments GmbH

Interface Skull Clamp AL (DBS Adapter) LP · Part # 1866513

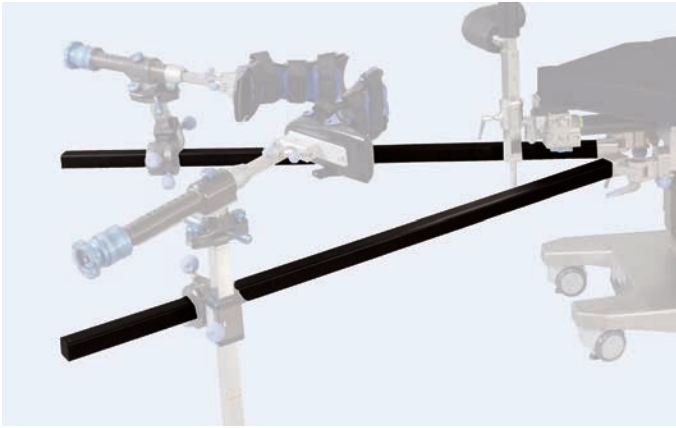


### Radiolucent Horseshoe Headrest

Radiolucent, horseshoe shaped headrest; attaches to all radiolucent adapters.

- Adjustment range: 45°
- Dimensions (LxWxH): 8" x 10" x 4" (200 mm x 250 mm x 100 mm)
- Made of carbon fiber
- Radiolucent
- Compatible with TruSystem 7000, 7000dV and 7500 Surgical Tables

Headrest X-ray · Part # 1300662

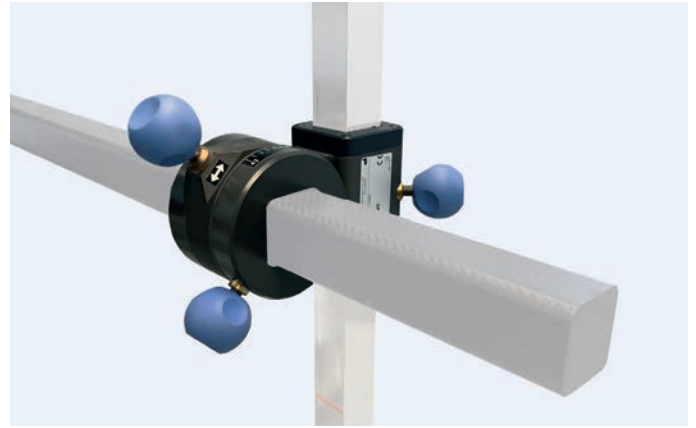


### Extension Joint Strut X-ray, Pair

Attaches to Trumpf Medical coupling point system and extension adapters.

- Made of carbon fiber
- For FX New Generation
- Compatible with TruSystem 7000, 7000dV and 7500 Surgical Tables

Extension Joint Strut X-ray, Pair · Part # 1574735



### Adapter Extension Strut X-ray

Attaches to the Radiolucent Extension Strut, Pair (1574735); for mounting the Adapter Spindle Traction Mechanism (1593159).

- Made of carbon fiber
- For FX New Generation
- For use with Extension Unit
- Compatible with TruSystem 7000, 7000dV and 7500 Surgical Tables

Adapter Extension Strut X-ray · Part # 1593158



### Free Float Carbon Control Unit

Control unit allows a free-floating motion in the longitudinal and transverse movement of tabletop Carbon FloatLine; lateral tilt, Trendelenburg, height adjustment; two memory functions; can be attached to the length of the tabletop by an Easy-Click system.

- Compatible with Carbon Floatline Tabletop

Free Float Carbon Control Unit · Part # 1808992

Index

Specialty Applications

Shuttles & Carts

Control Options & Cords

Positioning & Single-use Accessories

**Carbon Components & Accessories**

Siderails, Clamps & Trays

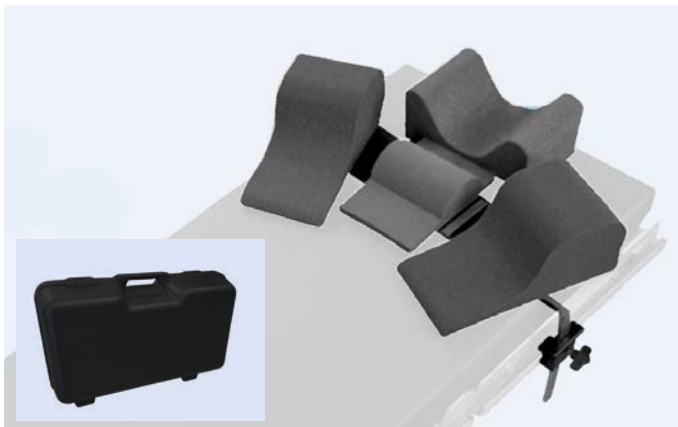
Arm Supports

Leg Supports

Body Supports

Head Supports

# Positioning & Single-use Accessories



## TrenGuard™ Package

Reverse Trendelenburg restraint system.

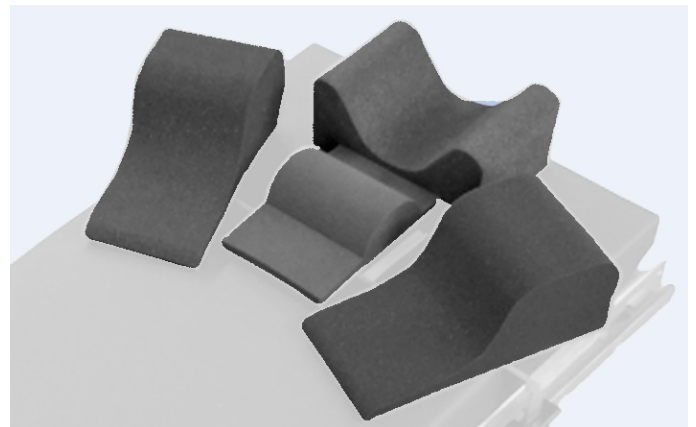
- Compatible with TruSystem 7000, 7000dV and 7500 Surgical Tables

*Includes:*

- (1) TrenGuard Frame, 111902
- (2) Slotted Rail Clamps, 111408
- (1) Demo Case, 111409
- (3) 450 Procedure Packs, 111421 (single-use)

TrenGuard Package - Part # 111936

TrenGuard 450 Demo Case - Part # 111409



## TrenGuard™ Procedure Pack, Single-use

Single-use procedure pack for use with TrenGuard Patient Support Frame.

- Each pack includes (1) Head Stabilizer, (1) Cervical Neck Pad, (2) Lateral Stabilizing Pillows
- Patient weight capacity: TrenGuard™ 450 accommodates up to 450 lbs in 40° of Trendelenburg; TrenGuard™ 600 accommodates high BMI patients up to 550 lbs in 40° of Trendelenburg
- Compatible with TruSystem 7000, 7000dV and 7500 Surgical Tables

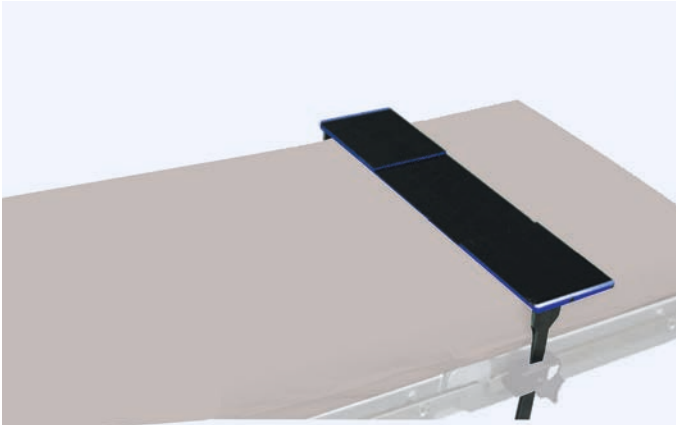
*Requires:* TrenGuard Patient Support Frame, 111902

TrenGuard 450 Procedure Pack, each - Part # 111421

TrenGuard 450 Procedure Pack, case of 12 - Part # 111404

TrenGuard 600 Procedure Pack, each - Part # 111903

TrenGuard 600 Procedure Pack, case of 12 - Part # 111904



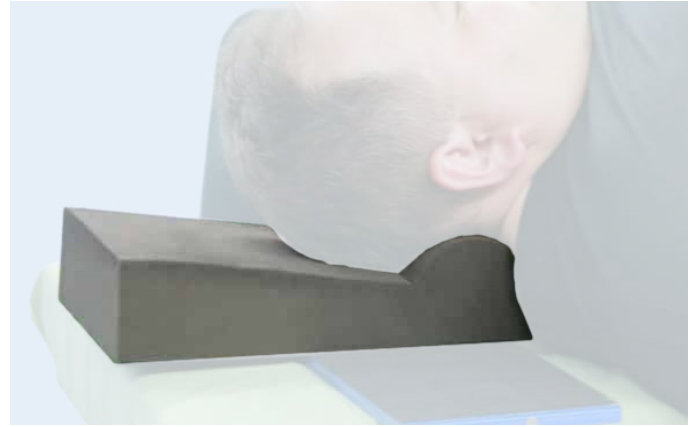
### TrenGuard™ Patient Support Frame

Attaches via clamp to the siderails of the back section of the operating table.

- Compatible with TruSystem 7000, 7000dV and 7500 Surgical Tables

*Requires:* (2) slotted rail clamps, 111408

TrenGuard Patient Support Frame · Part # 111902



### Integrated TrenGuard™ Support Wedge, Single-use

For use with ultra high-BMI patients and those who may not present with a cervical concavity.

- 1 case contains 12 packs

- Compatible with TruSystem 7000, 7000dV and 7500 Surgical Tables

*Requires:* TrenGuard Patient Support Frame, 111902

TrenGuard Support Wedge - Integrated - Single-use · Part # 111905

TrenGuard Support Wedge - Integrated - Single-use, Case · Part # 111906



### ArmGuard™ Arm Protector Sled Kit

Adjusts to various arm lengths.

- Procedure Packs are single-use
- Safely secures the proportional arm weight of patients up to 750 lbs
- Compatible with TruSystem 7000, 7000dV and 7500 Surgical Tables

ArmGuard Arm Protector Sled Kit · Part # 111413

ArmGuard, Arm Protector Procedure Pack, each · Part # 111422

ArmGuard, Arm Protector Procedure Packs, case of 12 · Part # 111406



### ArmGuard™ Bariatric Width Extender Procedure Pack, Single-use

Adds 4" of width and keeps the patients arms at the same level as the table pad.

- Procedure Pack contains 1 item

- Case contains 12 Procedure Packs

- Safely secures the proportional arm weight of patients up to 750 lbs

- Compatible with TruSystem 7000, 7000dV and 7500 Surgical Tables

ArmGuard Bariatric Width Extender Procedure Packs, each · Part # 111423

ArmGuard Bariatric Width Extender Procedure Packs, case · Part # 111407



Bariatric Security Strap, with pad

Straps are adjustable up to 80".

- Pad dimensions (L x W): 30 " x 12"
- Compatible with TruSystem 7000, 7000dV and 7500 Surgical Tables

Bariatric Security Strap, with Pad · Part # 111809



Medium Security Strap, without hooks

Reusable patient safety belt, attaches to the rails via straps.

- Strap is adjustable from 18" to 45"
- Pad dimension (LxWxH): 18" x 5" x 1/2" (pad optional)
- Compatible with TruSystem 7000, 7000dV and 7500 Surgical Tables

Medium Security Strap, without hooks, with pad · Part # 111930  
(pictured)

Medium Security Strap, without Hooks · Part # 2068137



Patient Security Strap Hook

For use with hookless patient security straps.

- Sold individually

Foam Arm Supports, case · Part # 111931



Legholder Pad, Single-use

Single-use replacement pad for Deluxe Arthroscopic Legholder System (F-10015).

Legholder Pad · Part # R-S4133-V





### Head and Chin Strap, Single-use

Pair of straps to secure and support the head and chin while using the Shoulder Chair (2009875).

- Single-use
- Case contains 12 packs
- Radiolucent

Disposable Head and Chin Strap, case · Part # 111607



### Facemask, Single-use

Secures and supports head, chin and face with padded support while using the Shoulder Chair (2009875).

- Case contains 12 packs
- Radiolucent

Disposable Facemask, case · Part # 111608



### Long Patient Transfer Board

Lightweight, roller-free board for patient transfer.

- Weight capacity: 500 lbs
- Compatible with TruSystem 7000, 7000dV and 7500 Surgical Tables

*Optional:* Narrow board Replacement Cap (F-83015) or Wide Board Replacement Cap, F-83016

Long, Wide Patient Transfer Board 71.5" x 20.5" · Part # F-83000

Long, Narrow Patient Transfer Board 71.5" x 16.5" · Part # F-83005



### Short Patient Transfer Board

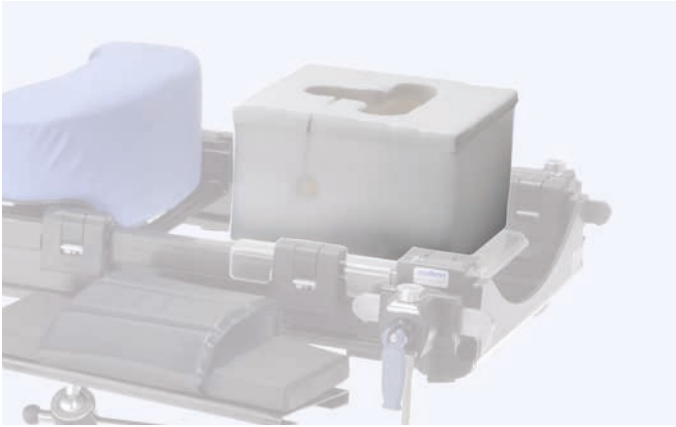
Lightweight, roller free board for patient transfer.

- Weight capacity: 500 lbs
- Compatible with TruSystem 7000, 7000dV and 7500 Surgical Tables

*Optional:* Narrow board Replacement Cap (F-83015) or Wide Board Replacement Cap, F-83016

Short, Wide Patient Transfer Board 32" x 20.5" · Part # F-83003

Short, Narrow Patient Transfer Board 40" x 16.5" · Part # F-83001



### Foam Head Block, Single-use

For positioning patient's head in prone position with the Carbon Spine Tabletop.

- 6 blocks per package, 6 packages per case

Foam Head Block, case · Part # 2016441



### Foam Arm Supports, Single-use

For single-use with the Carbon Spine Tabletop.

- 6 per case

Foam Arm Supports, case · Part # 2066016



### Ultra Comfort Covers, Single-use

For single-use with the Carbon Spine Tabletop. Available in small, medium and large sizes.

- 6 per case

Ultra Comfort Covers, Small · Part # 2066017

Ultra Comfort Covers, Medium · Part # 2016446

Ultra Comfort Covers, Large · Part # 2016448



### Bag Uro Catcher, Single-use

Requires: Band, Uro Catcher, 20-2001007

Bag Uro Catcher · Part # 20-2001008

Index

Specialty Applications

Shuttles & Carts

Control Options & Cords

Positioning & Single-use Accessories

Carbon Components & Accessories

Siderails, Clamps & Trays

Arm Supports

Leg Supports

Body Supports

Head Supports

# Control Options & Cords



Cable Remote Control for TruSystem® 7000 Table

Cable remote control for the TruSystem 7000dV mobile surgical table in combination with the *da Vinci Xi*® System to activate Table Motion.

- Compatible with TruSystem 7000 Surgical Tables

Cable Remote Control TS7000 · Part # 1767067



Cable Remote Control for TruSystem® 7000dV Table

Cable remote control for the TruSystem 7000dV mobile surgical table in combination with the *da Vinci Xi*® System to activate Integrated Table Motion.

- Compatible with TruSystem 7000dV Surgical Tables

Cable Remote Control TS7000 (dV) · Part # 1798326



## Wireless Remote for New Generation TruSystem® 7500 Table Columns

For new generation TruSystem 7500 columns in combination with our partners Brainlab/Mobius, Philips Allura, Toshiba, Shimadzu, and Siemens ARTIS. Software versions 6 and higher.

- Compatible with TruSystem 7500 Surgical Tables

Refer to *Remote Control Wireless TS7500, First Generation (1633967)* for software versions 5 and lower.

*Requires:* Charging Unit Mobile TS7500 (1557243) or Charging Unit Mounted T DC TS7500 (1537208)

Remote Control Wireless TS7500 · Part # 2003863



## TruSystem® 7500 Table SensorLine Package

Upgrade package for additional functionality including individual patient transfer, individual height adjustment for transfer, and collision prevention.

- Compatible with TruSystem 7500 Surgical Tables

*Includes:* (1) SensorLine Remote Control, (1) Mobile Charging Unit, (1) User Manual

TruSystem 7500 SensorLine · Part # 1947993



## TruSystem® 7500 Table SensorLine Premium Package

Upgrade package for additional functionality including individual patient transfer, individual height adjustment for transfer, integral overload protection, collision prevention & detection, extension of the Trendelenburg-tilt ratios for minimally invasive surgical interventions, key lock for table handling, isocentric tilt for operating tabletop Carbon FloatLine, and faster Trendelenburg for optimal emergency treatment in the OR.

- Compatible with TruSystem 7500 Surgical Tables

*Includes:* (1) SensorLine Remote Control, (1) Mobile Charging Unit, (1) User Manual

TruSystem 7500 SensorLine Premium · Part # 1997423



## Free Float Carbon Control Unit

Control unit allows a free-floating motion in the longitudinal and transverse displacement of tabletop Carbon FloatLine; realization of lateral tilt, Trend., height adjustment; two memory functions; can be attached to the longitudinal side of the tabletop by an Easy-Click system.

- Compatible with Carbon Floatline Tabletop

Free Float Carbon Control Unit · Part # 1808992



### Remote for Previous Generation 7500 Columns

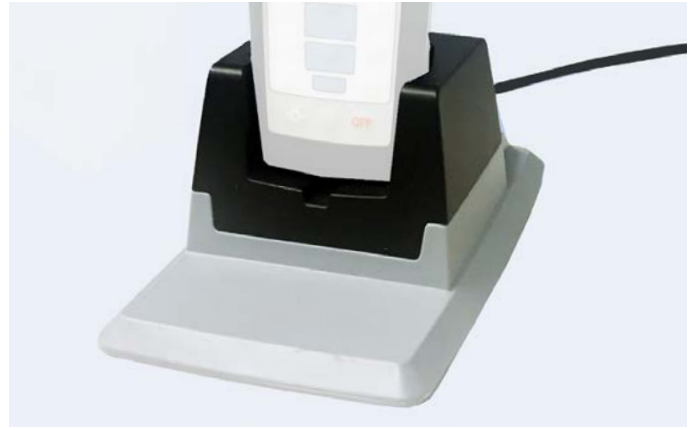
- 1st Generation: For use with TruSystem 7500 columns with software version 5 or lower.
- 2nd Generation: For use with TruSystem 7500 columns with software version 6 or higher in combination with our partners Brainlab/Mobius, Philips Allura, Toshiba, Shimadzu, and Siemens ARTIS, and in combination with Siemens Combi Suite.
- Compatible with TruSystem 7500 Surgical Tables

*Requires:* Charging Unit Mobile TS7500 (1557243) or Charging Unit Mounted T DC TS7500 (1537208)

1st Generation TS7500 Cable Remote Control · Part # 1633968

1st Generation TS7500 Remote Control Wireless · Part # 1633967

2nd Generation TS7500 Cable Remote Control · Part # 2003862



### Charging Unit, Mobile, TruSystem® 7500 Table Remote

- For wireless and IR remote control of the TruSystem 7500.
- Compatible with TruSystem 7500 Surgical Tables

*Requires:* Charging Cable, 1836117

Charging Unit Mobile TruSystem 7500 · Part # 1557243

Charging Unit Mounted T DC TS7500 · Part # 1537208



### Power Cord, Mobile Tables

- Charging cord for mobile tables.
- Length: 16' (5 m)
  - Compatible with TruSystem 7000 and 7000dV Surgical Tables

Power Cord, TS7000 · Part # 1873017



### Cable Connection TruSystem® 7000dV Table

- Wired connection back-up between *da Vinci Xi System* and TruSystem 7000dV Table.
- Compatible with TruSystem 7000dV Surgical Tables

Cable Connection TruSystem 7000 dV · Part # 1816914



## Foot Pedal

Plugs into column to control table functions.

- Made of aluminum
- Compatible with TruSystem 7500 Surgical Tables

Foot Pedal HKN (height, Trendelenburg/reverse Trendelenburg and tilt) · Part # 1258883

Foot Pedal HBN (height, Trendelenburg / anti-Trendelenburg and leg section) · Part # 1258884

Foot Pedal HRN (height, Trendelenburg/ anti-Trendelenburg and back section) · Part # 1258885

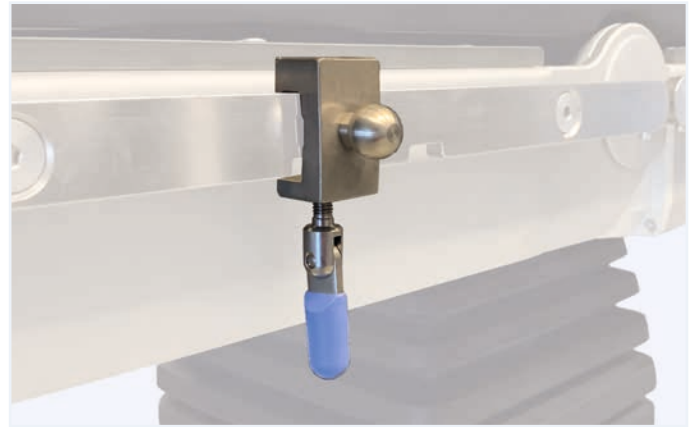
Foot Pedal HLQ (height, longitudinal and transversal shift) · Part # 1258886

Foot Pedal HLN (height, Trendelenburg/ anti-Trendelenburg and longitudinal shift) · Part # 1258887

Foot Pedal LBR (longitudinal shift, leg section and back section) · Part # 1258888

Foot Pedal HBK (height, leg section and tilt) · Part # 1364476

Foot Pedal HRK (height, back section and tilt) · Part # 1364477



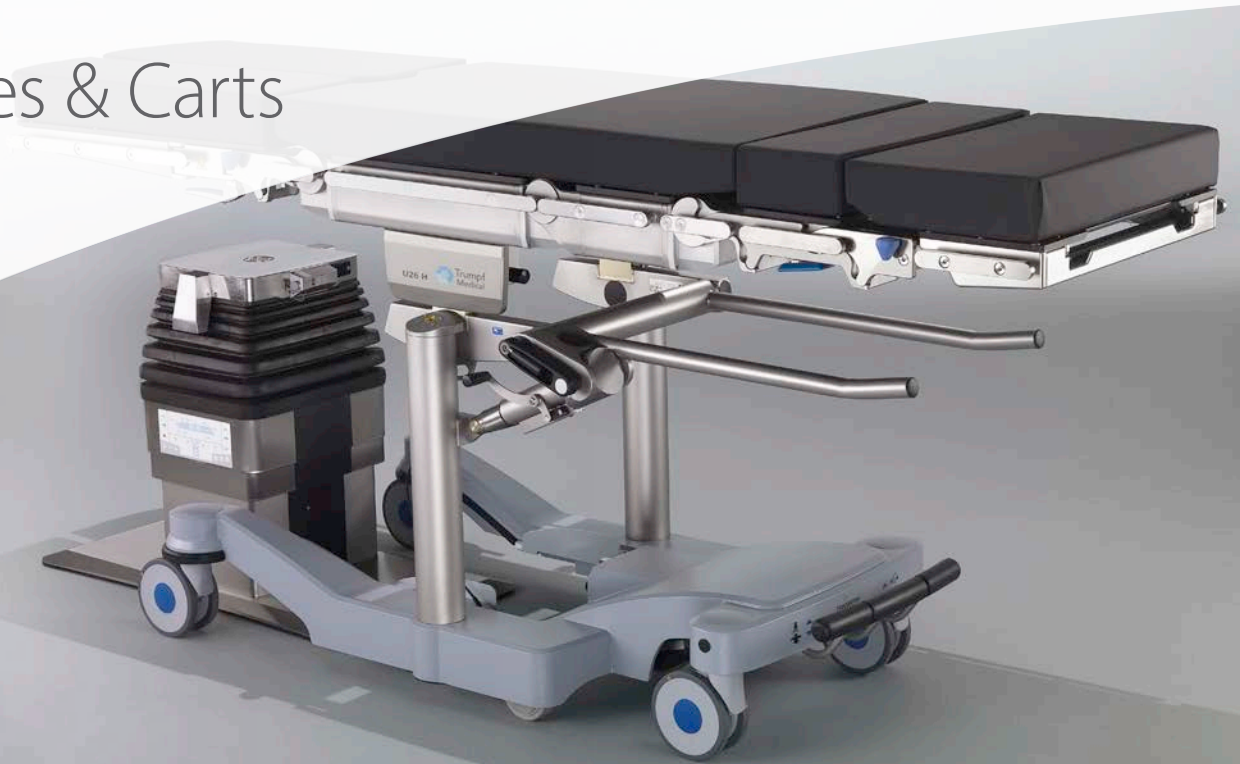
## Holder Remote Control

To attach to siderails; for mounting remote controls.

- Made of stainless steel
- Compatible with TruSystem 7000, 7000dV and 7500 Surgical Tables

Holder Remote Control · Part # 1351241

# Shuttles & Carts



## Shuttle for TruSystem® 7500 Table Systems

To transport TruSystem 7500 operating tabletops and/or columns.

- Made of aluminum
- Maximum load: 794 lbs (360 kg)
- Compatible with TruSystem 7500

Shuttle 1.6 360 (no Adjustment) · Part # 1418348

Shuttle 2.6 360 (Trend/anti-Trend Adjustment) · Part # 1418349

Shuttle 3.6 360 (Trend/anti-Trend & Height Adjustment) · Part # 1489491

## Power Shuttle for TruSystem® 7500 Table Systems

Motorized shuttle with sensor controlled steering handles to transport TruSystem 7500 operating tabletops and/or columns.

- Made of aluminum
- Maximum load: 793.6 lbs (360 kg)
- Compatible with TruSystem 7500

*Requires:* Battery Power Shuttle (1774606); Charging Unit Power Shuttle (1774608)

Power Shuttle (H) · Part # 1774603

Battery Power Shuttle · Part # 1774606

Charging Unit Power Shuttle · Part # 1774608





## Component Cart

Mobile cart designed for transport and storage. Provides two sides of hanging space for TruSystem Medical components.

- Compatible with TruSystem 7000, 7000dV and 7500 Surgical Tables

Component Cart · Part # 2069425



## Component Wall Mount, pair

Used for storage of one hook/coupling point component.

Component Wall Mount, pair · Part # 2023703



## Accessory Cart

Mobile cart includes six rails for hanging accessories and a deep bin at the base for additional storage. Optional accessory hooks also available. The weighted base is tip resistant and the casters can be locked.

*Optional Accessories:* Single Hook for Accessory Cart (F-30012); Double Hook for Accessory Cart (F-30013); Accessory Hook for Accessory Cart (F-30011).

Accessory Cart · Part # F-30010

Accessory Hook for Accessory Cart · Part # F-30011

Single Hook for Accessory Cart · Part # F-30012

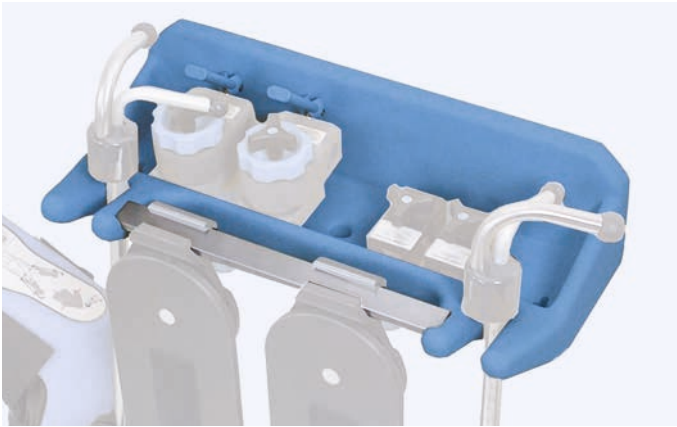
Double Hook for Accessory Cart · Part # F-30013



## Stirrup Cart

Transport of any stirrups or legholders. Compact design with deep storage base for clamps and pads. Two different-sized hooks to hold rod sizes: 3/4" and 1".

Stirrup Cart · Part # F-30015



### Easy Rack

Mounts to the wall for storing stirrups, armboards, clamps, straps and other accessories. Unique key slots accept 1/4" x 1" flat and 5/8" round mounting posts. Wall fasteners not included.

Easy Rack · Part # O-MR2



### Shoulder Chair Dolly

For storage and transport of Shoulder Chair H, Coupler Mounted (2009875).

- Compatible with TruSystem 7000, 7000dV and 7500 Surgical Tables

Shoulder Chair Dolly · Part # 111606



### kombiTROLL Extension Trolley

For positioning and transporting extension accessories.

- Dimensions (L x W x H): 40" x 30" x 67" (1020 mm x 750 mm x 1700 mm)
- Made of aluminum
- Compatible with TruSystem 7000, 7000dV and 7500 Surgical Tables

kombiTROLL Extension Trolley · Part # 1664865



### Docking Trolley Extension Unit for TruSystem® 7000 Tables

For transporting, storing, docking and undocking of the Extension Unit to TruSystem surgical tables.

- Made of stainless steel
- For FX New Generation

Docking Trolley Extension Unit TS7000 · Part # 1867129



## Table Transport Handles

Attaches to siderails via integral clamp; ergonomic design enables safe transport of operating tables or an operating tabletop on a shuttle.

- Made of stainless steel
- Compatible with TruSystem 7000, 7000dV and 7500 Surgical Tables

Handles for Operating Tables · Part # 1321641



## Cleaning Shuttle for TruSystem® 7500 Table Systems

For cleaning beneath the base plate of TruSystem 7500 mobile operating columns.

- Made of stainless steel
- Compatible with TruSystem 7500 Surgical Table - Mobile column only

Cleaning Shuttle 2.01 · Part # 1536993

# Accessories by Specialty

## Contents

Neurology	62
<hr/>	
Spine	70
<hr/>	
Orthopedic	76
<hr/>	
Urology & Gynecology	88
<hr/>	
Bariatric	92
<hr/>	
Pediatric	94
<hr/>	
Anesthesia	96
<hr/>	
Radiology	98
<hr/>	
Vascular	102
<hr/>	



# Neurology



## Skull Clamp

Attaches to Skull Clamp Adapter (1218969) or Interface Skull Clamp AL (1866513) for stable and precise three-point skull fixation with skull pins.

- Made of aluminum
- Compatible with TruSystem 7000, 7000dV and 7500 Surgical Tables
- Manufactured by Pro Med Instruments GmbH

Skull Clamp · Part # 1218968



## Skull Clamp Adapter

Connection between Basic Unit Neuro (1218970) and desired skull clamp or headrest.

- Made of aluminum
- Compatible with TruSystem 7000, 7000dV and 7500 Surgical Tables
- Manufactured by Pro Med Instruments GmbH

Skull Clamp Adapter · Part # 1218969



### Basic Unit Neuro

For attaching various head components; simultaneous locking of longitudinal and vertical positions; used for prone and supine positioning of the patient.

- Made of cast aluminum
- Compatible with TruSystem 7000, 7000dV and 7500 Surgical Tables
- Manufactured by Pro Med Instruments GmbH

Basic Unit Neuro · Part # 1218970



### Horseshoe Headrest

Horseshoe shaped headrest designed for prone or supine positioning for adult-sized patients. Features extension bar for skull traction and durable comfort gel pads. Connects to Swivel Adapter (1218969).

- Made of cast aluminum
- Compatible with TruSystem 7000, 7000dV and 7500 Surgical Tables

Headrest for Adults · Part # 1218974

Headrest for Children · Part # 1218973



### Radiolucent Skull Clamp

Radiolucent Cranial Skull Clamp with 3-point fixation for head support. Used for neuro/spinal surgeries. Material is compatible with CT and MRI.

- Dimensions (LxWxH): 12" - 16" x 5" x 14"
- Made of radiolucent material
- Radiolucent
- MRI conditional
- Compatible with TruSystem 7000, 7000dV and 7500 Surgical Tables
- Manufactured by Pro Med Instruments GmbH

*Skull Clamp is part of an interchangeable system. Can be used with Radiolucent Swivel Adapter (1317786) or Interface Skull Clamp LP (Biopsy Arm) (1835762). For MRI compatibility, must be used with DORO LUCENT® Parallelogram Adapter, manufactured and sold by DORO.*

Skull Clamp X-ray · Part # 1317569



### Radiolucent Helmet

Fully radiolucent, attaches to various imaging adapters. Two straps ensure safe positioning and lateral support for the head. Adjustable to various head sizes ranging from pediatric to adults.

- Made of a hard plastic, Polyoxymethylen (POM)
- Radiolucent

Helmet X-ray · Part # 1300663

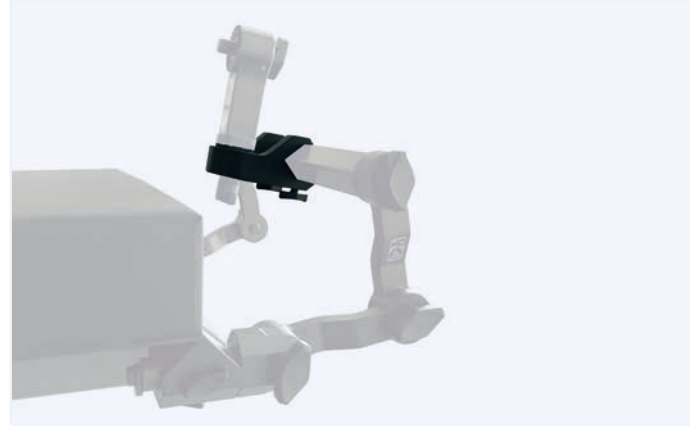


### Radiolucent Swivel Adapter

Attaches Radiolucent Skull Clamp (1317569) to Radiolucent Retainer (1345749) or as a connection piece between Interface Skull Clamp AL (1866513) and Skull Clamp (1218968).

- Made of carbon fiber
- Radiolucent: Yes (X-ray, CT); No (MRI)
- Compatible with TruSystem 7000, 7000dV and 7500 Surgical Tables

Radiolucent Swivel Adapter · Part # 1317786

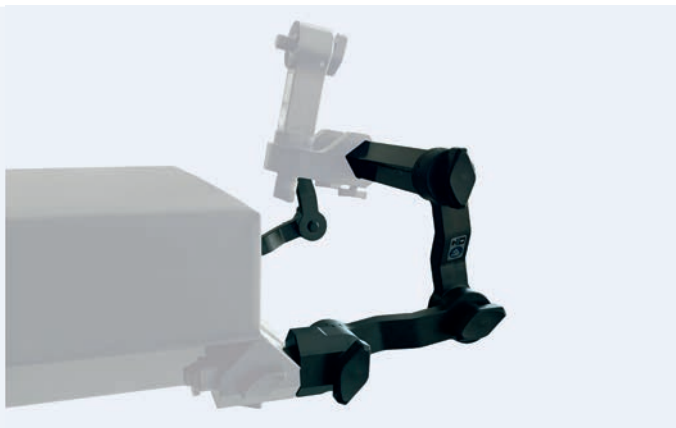


### Radiolucent Retainer

Attaches to all Narrow and Wide Radiolucent Adapters and Radiolucent Swivel Adapter (1317786).

- Made of carbon fiber
- Radiolucent
- MRI conditional
- Compatible with TruSystem 7000, 7000dV and 7500 Surgical Tables

Retainer X-ray · Part # 1345749



### Radiolucent Adapters, Narrow

Attaches to SQ14 X-TRA UT (1581502) tabletop. This narrow adapter allows for attachment of head positioning devices and accessories.

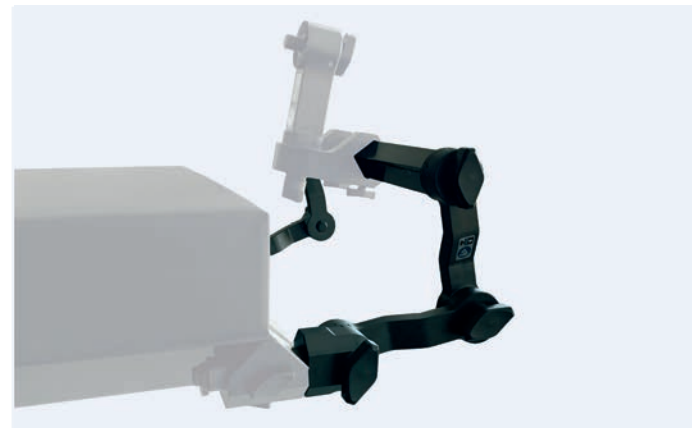
- Dimensions (LxW): 9" x 15" (250 mm x 400 mm); Double-Joint: 15" x 15" (400 mm x 400 mm); Triple Joint: 21" x 15" (550 mm x 400 mm)
- Made of carbon fiber
- Radiolucent
- Compatible with TruSystem 7500 Surgical Tables

*Requires:* SQ14 X-tra UT, 1581502

Adapter X-ray Narrow · Part # 1297206

Adapter X-ray Double Joint Narrow · Part # 1312734 (pictured)

Adapter X-ray 3-Joint Narrow · Part # 1430023



### Radiolucent Adapters, Wide

Attaches to Carbon 600, Carbon FloatLine or Carbon Spine Tabletops via the carbon coupling point connectors (included). These wide adapters allow attachment of head positioning devices and accessories.

- Dimensions (LxW): 21" x 4" (550 mm x 100 mm); Double-Joint: 21" x 4" (550 mm x 100 mm); Triple Joint: 21" x 4" (550 mm x 100 mm)
- Made of carbon fiber
- Radiolucent: Yes (X-ray, CT)
- Compatible with TruSystem 7000, 7000dV and 7500 Surgical Tables

Adapter X-ray Wide · Part # 1312733

Adapter X-ray Double Joint Wide · Part # 1312735 (pictured)

Adapter X-ray 3-Joint Wide · Part # 1430024





### Radiolucent Head Section, Wide

Wide, radiolucent head section that is compatible with various imaging adapters.

- Dimensions (LxW): 8" x 21" (200 mm x 530 mm)
- Made of carbon fiber
- Radiolucent
- Compatible with TruSystem 7000, 7000dV and 7500 Surgical Tables
- Replacement pads: 111269

Head Section X-ray Wide · Part # 1297207



### Radiolucent Coupling Piece Low

Used for the lower head position with Radiolucent Skull Clamp (1317569).

- Made of carbon fiber
- Radiolucent
- MRI conditional
- Compatible with TruSystem 7000, 7000dV and 7500 Surgical Tables

Coupling Piece X-ray Low · Part # 1368880



### Interface Skull Clamp (Biopsy Arm) LP

A connection piece between Basic Unit Neuro (1218970), Skull Clamp Adapter (1218969) and Radiolucent Skull Clamp (1317569); connection of a biopsy arm possible.

- Radiolucent
- MRI conditional
- Compatible with TruSystem 7000, 7000dV and 7500 Surgical Tables
- Manufactured by Pro Med Instruments GmbH

Interface Skull Clamp (Biopsy Arm) LP · Part # 1835762

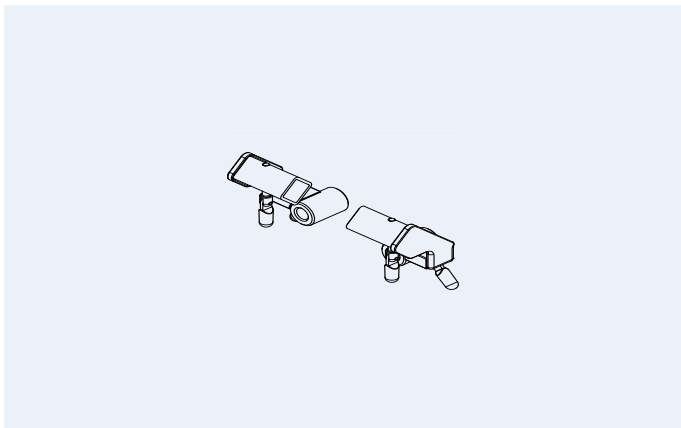


### Interface Skull Clamp AL (DBS Adapter) LP

A connection piece between the Radiolucent Swivel Adapter (1317786) and the Skull Clamp (1218968); connection of a DBS adapter possible.

- Radiolucent
- MRI conditional
- Compatible with TruSystem 7000, 7000dV and 7500 Surgical Tables
- Manufactured by Pro Med Instruments GmbH

Interface Skull Clamp AL (DBS Adapter) LP · Part # 1866513

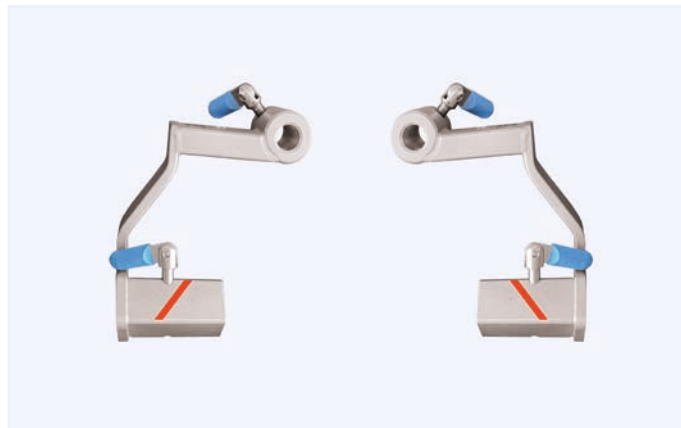


### Neuroadapter Carbon Narrow

Attaches to the SQ14 X-TRA UT (1581502) tabletop.

- Made of stainless steel
- Compatible with TruSystem 7000, 7000dV and 7500 Surgical Tables

Neuroadapter Carbon Narrow · Part # 1433543



### Neuroadapter Carbon Wide

Attaches to the Carbon FloatLine and the Carbon X-TRA 7500 (1846397) and Carbon 600 (1739992).

- Made of stainless steel
- Compatible with TruSystem 7000, 7000dV and 7500 Surgical Tables

Neuroadapter Carbon Wide · Part # 1435067



### Horseshoe Headrest, Two-Part

Attaches to connection holder via integral clamps; adjustable to head size.

- Dimensions (LxW): 7" x 7" (180 mm x 180 mm)
- Load-bearing structure made of stainless steel
- Compatible with TruSystem 7000, 7000dV and 7500 Surgical Tables

Headrest Horseshoe-shaped Two Parts · Part # 4549732

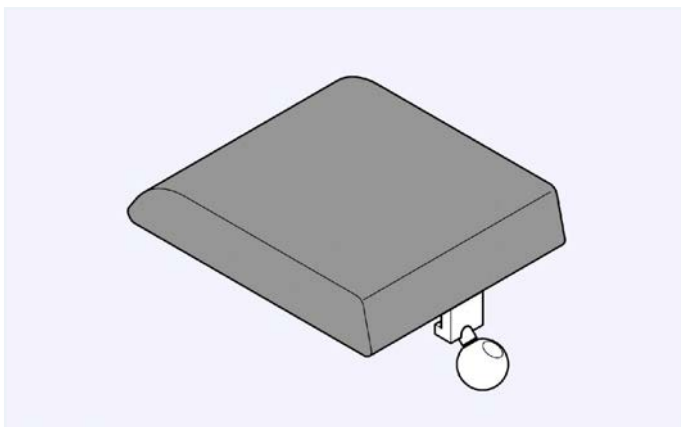


### Radiolucent Horseshoe Headrest

Radiolucent, horseshoe shaped headrest; attaches to all radiolucent adapters.

- Adjustment range: 45°
- Dimensions (LxWxH): 8" x 10" x 4" (200 mm x 250 mm x 100 mm)
- Made of carbon fiber
- Radiolucent
- Compatible with TruSystem 7000, 7000dV and 7500 Surgical Tables

Headrest X-ray · Part # 1300662



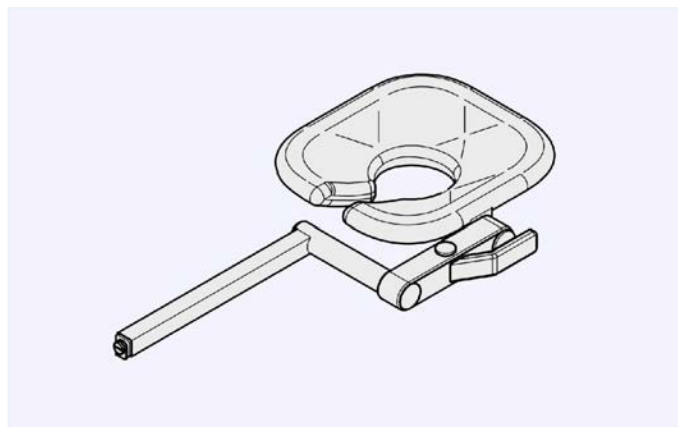
### Headrest, Narrow

Designed for Ophthalmology and ENT procedures. Headrest attaches to Connection Holder with Joint Short (4544733) as well as Retainer for Headrests Vario (1300079). Integral clamp.

- Dimensions (LxW): 10" x 8" (250 mm x 200 mm)
- Load-bearing structure made of stainless steel
- Compatible with TruSystem 7000, 7000dV and 7500 Surgical Tables

*Requires:* Connection Holder with Joint Short, 4544733 or Connection Holder with Joint, 4544729 and Joint Short, 4544733

Headrest Basic - Part # 4549730



### Headrest Flat 20

Attaches to Retainer for Headrests Vario (1300079). Optimal for ENT and Ophthalmology procedures.

- Compatible with TruSystem 7000, 7000dV and 7500 Surgical Tables

*Requires:* Retainer for Headrests Vario, 1300079

Headrest Flat 20 - Part # 1256701



### Connection Holder with Joint Short

Attaches to Retainer for Headrests Vario (1300079).

- Siderail length: 7" (185 mm)
- Rotatable: 360°
- Tilt: ± 30°
- Made of stainless steel
- Compatible with TruSystem 7000, 7000dV and 7500 Surgical Tables

Connection Holder with Joint Short - Part # 4544733

Connection Holder with Joint - Part # 4544729 (pictured)



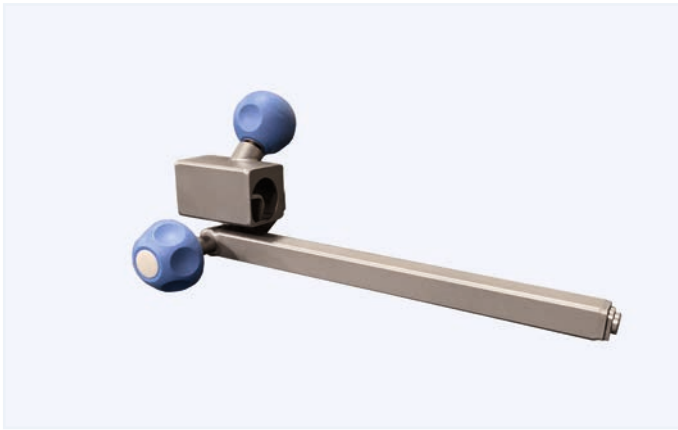
### Crossbar Attachment

Used for attaching neurosurgical accessories.

- Made of stainless steel
- Compatible with TruSystem 7000, 7000dV and 7500 Surgical Tables

*Requires:* Easy Lock Socket Clamp, 111839

Crossbar Attachment - Part # 4544436



### Retainer for Headrests Vario

---

Adjustable, attaches to Head Positioning Adapter U H (1739994).

- Pivot range: +/- 90°
- Made of stainless steel
- Compatible with TruSystem 7000, 7000dV and 7500 Surgical Tables

---

*Requires:* Head Positioning Adapter U H, 1739994

---

Retainer for Headrests Vario · Part # 1300079

---



### Head Positioning Adapter U H

---

Attaches to siderails; best suited for adapting and connecting headrests and headrest accessories. Ideal for Neuro/Spine/ENT/Ophthalmologic head accessories.

- Dimensions (LxWxH): 5.1" x 24.4" x 6.3" (129.5 mm x 619.7 mm x 160 mm)
- Made of stainless steel
- Compatible with TruSystem 7000, 7000dV and 7500 Surgical Tables

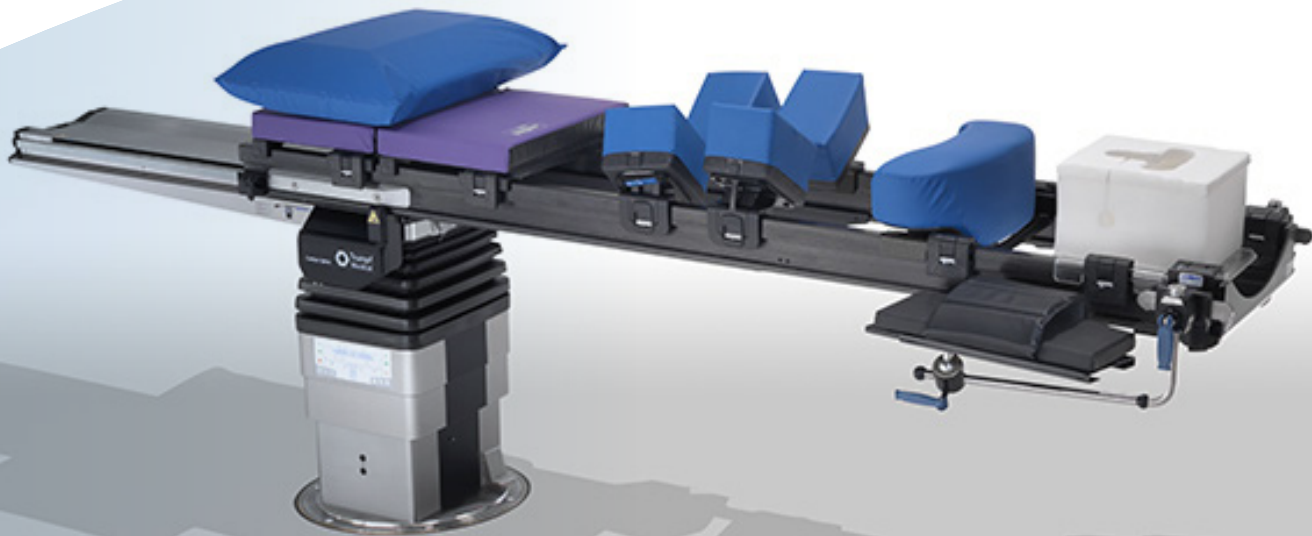
---

Adapter for Head Positioning U H · Part # 1739994

---



# Spine



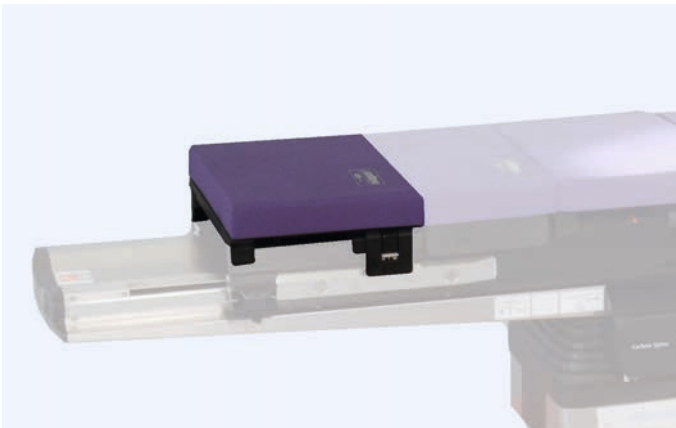
## Carbon Spine Tabletop Standard Positioning Package

One-part operating tabletop made of carbon fiber bars with electrically motorized adjustment of longitudinal shift and coupling point at the head end for attaching head positioning accessories.

- Patient weight capacity: 496 lbs (225 kg)
- X-ray area - Head side: 64.6" x 17" (1640 mm x 432 mm) (Fixed), 56.7" x 17" (1440 mm x 432 mm) (mobile)
- Longitudinal shift: 31.5" (800 mm) (fixed), 23.6" (600 mm) (mobile)
- Dimensions (LxW): 80.7" x 17" (2050 mm x 432 mm)

- Includes:* (1) Carbon Spine Tabletop, 2065423  
(6) Supine Accessory Top 12", 2066007  
(6) Supine Accessory Top Pad 2", 2066008  
(1) Supine Filler Top 8", 112069  
(1) Supine Filler Top 8" Pad 2", 112070  
(1) Advance Chest Support w/ Pad, 2066000  
(2) Advance Hip Support (Medium) w/ Pad, 2066001  
(2) Advance Hip Support (Large) w/ Pad, 2066003  
(1) Advance Thigh Support w/Pad - left, 2066005  
(1) Advance Thigh Support w/Pad - right, 2066006  
(1) Sling Support, 2066015  
(1) Allen Advance Pillow - Standard, 2065998  
(1) Advance Head Plate, 2065999  
(3) Accessory Rail Clamp, Carbon Spine, 2067212  
(2) Rail Top Armboard Rail, 2066009  
(2) Advance Arm Support, 2066014  
(1) Foam Head Block, Disposable, case, 2016441  
(1) Foam Arm Supports, 2066016  
(1) Ultra Comfort Covers, Medium, 2016446  
(1) Ultra Comfort Covers, Large, 2016448  
(1) Medium Security Strap, w/ Pad, 2068137

Carbon Spine Tabletop Standard Positioning Package · Part # 112010

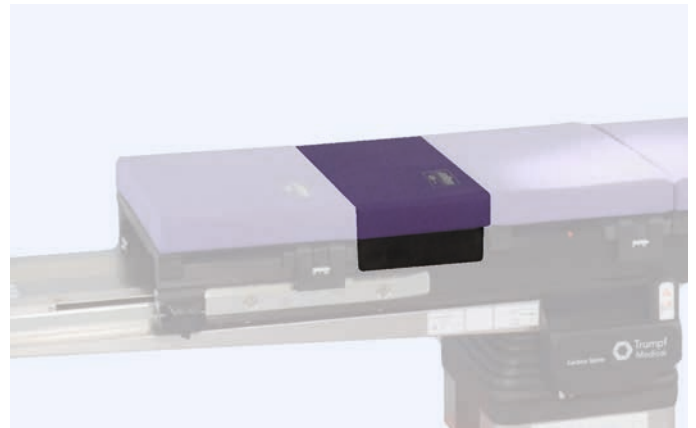


### Supine Accessory Top 12"

For use with the Carbon Spine Tabletop to support supine or prone positioning.

- Compatible with TruSystem 7500 Surgical Tables
- Replacement pad: 2066008

Supine Accessory Top 12" · Part # 2066007



### Supine Filler Top 8"

For use with the Carbon Spine Tabletop to support supine or prone positioning.

- Compatible with TruSystem 7500 Surgical Tables
- Replacement pad: 112070

Supine Filler Top 8" · Part # 112069

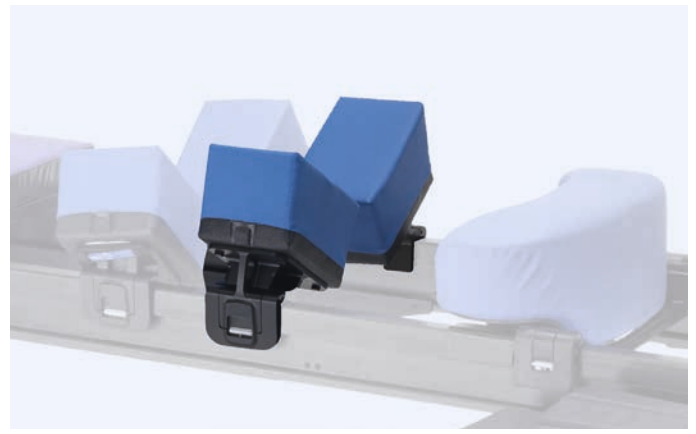


### Advance Chest Support

For use with the Carbon Spine Tabletop.

- Compatible with TruSystem 7500 Surgical Tables

Advance Chest Support with pad · Part # 2066000



### Advance Hip Support

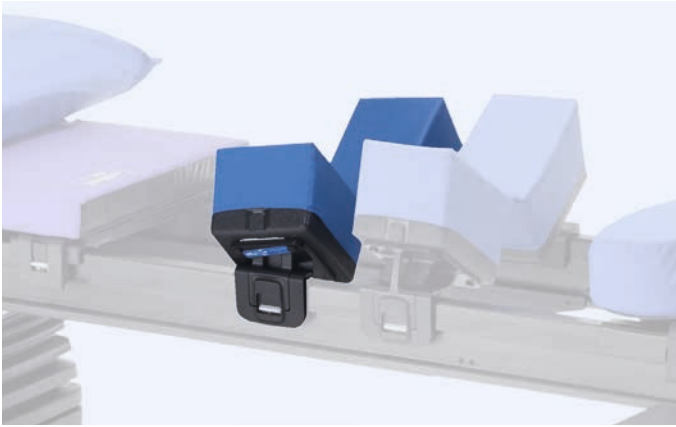
For use with the Carbon Spine Tabletop.

- Compatible with TruSystem 7500 Surgical Tables

Advance Hip Support with pad, Small · Part # 2066002

Advance Hip Support with pad, Medium · Part # 2066001

Advance Hip Support with pad, Large · Part # 2066003



### Advance Thigh Support

For use with the Carbon Spine Tabletop.

- Compatible with TruSystem 7500 Surgical Tables

Advance Thigh Support, with Pad - Left · Part # 2066005

Advance Thigh Support, with Pad - Right · Part # 2066006



### Sling Support

For use with the Carbon Spine Tabletop to support the patient's legs.

- Compatible with TruSystem 7500 Surgical Tables

Sling Support · Part # 2066015



### Advance Pillow, Standard

For use with the Carbon Spine Tabletop.

- Compatible with TruSystem 7500 Surgical Tables

Advance Pillow - Standard · Part # 2065998



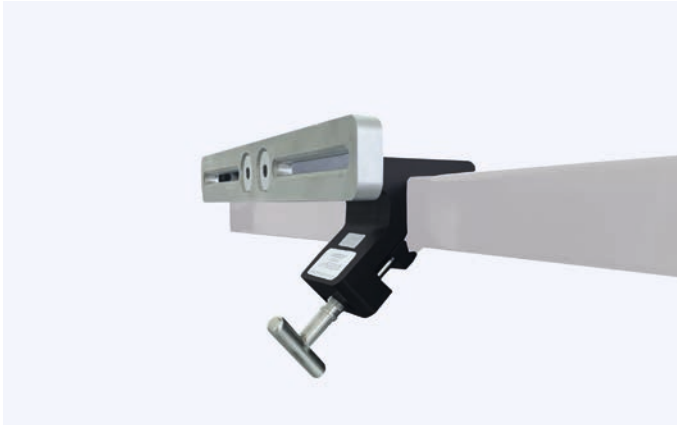
### Advance Arm Support

For use with the Carbon Spine Tabletop.

- Compatible with TruSystem 7500 Surgical Tables

Advance Arm Support · Part # 2066014





### Accessory Rail Clamp, Carbon Spine

For use with the Carbon Spine Tabletop.

- Compatible with TruSystem 7500 Surgical Tables

Accessory Rail Clamp, Carbon Spine · Part # 2067212

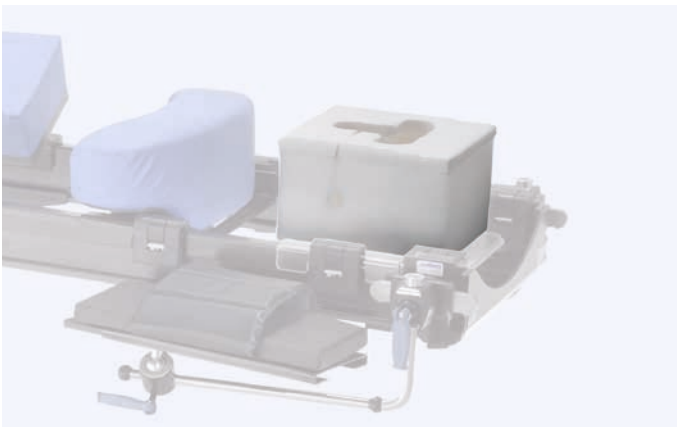


### Rail Top Armboard Rail

For use with the Carbon Spine Tabletop.

- Compatible with TruSystem 7500 Surgical Tables

Rail Top Armboard Rail · Part # 2066009



### Foam Head Block, Single-use

Single-use for supporting patient's head in prone position with the Carbon Spine Tabletop.

- 36 blocks per case
- Compatible with TruSystem 7500 Surgical Tables

Foam Head Block, case · Part # 2016441



### Foam Arm Supports, Single-use

For single-use with the Carbon Spine Tabletop.

- 6 per case
- Compatible with TruSystem 7500 Surgical Tables

Foam Arm Supports, case · Part # 2066016



### Medium Security Strap, with pad, without hooks

Soft padded center section is 1/2" (1.2 cm) thick, 5" (13 cm) wide and 18" (46 cm) long. Strap is adjustable from 18" to 45" (46 cm to 114 cm).

- Compatible with TruSystem 7500 Surgical Tables

Medium Security Strap, with Pad · Part # 2068137



### Ultra Comfort Covers, Single-use

For single-use with the Carbon Spine Tabletop. Available in small, medium and large sizes.

- 6 per case
- Compatible with TruSystem 7500 Surgical Tables

Ultra Comfort Covers, Small · Part # 2066017

Ultra Comfort Covers, Medium · Part # 2016446

Ultra Comfort Covers, Large · Part # 2016448



### Wilson Spine Bridge

This accessory is to be set on top of operating tabletops; belts included to attach bridge to siderails; crank for height adjustment; adjustable flexion range.

- Radiolucent
- Compatible with TruSystem 7000, 7000dV and 7500 Surgical Tables

*Requires:* Pad Spine Bridge Wilson, set, 1852424

Spine Bridge Wilson V · Part #1790125

Pad Spine Bridge Wilson, set · Part #1852424

Transport Case for Wilson Frame and Pads · Part # 1337641



# Orthopedic



## Shoulder Chair, Coupler Mounted

Attaches to TruSystem hook/coupling point system, adjusted via integral table motors through table remote control. Two removable shoulder panels for optimal access. Includes head support, lateral brace and pad set. Connects to the Large (L) coupler in reverse patient orientation - Refer to Compatibility Reference Chart in Index.

- Patient weight capacity: 500 lbs
- Radiolucent
- Compatible with TruSystem 7000, 7000dV and 7500 Surgical Tables

*Optional:* Disposable Facemask, 111608 (case of 12); Disposable Head and Chin Strap, 111607 (case of 12); Shoulder Chair Dolly, 111606; Pad Knee Flex, 111552

Shoulder Chair H (Coupler Mounted) · Part # 2009875

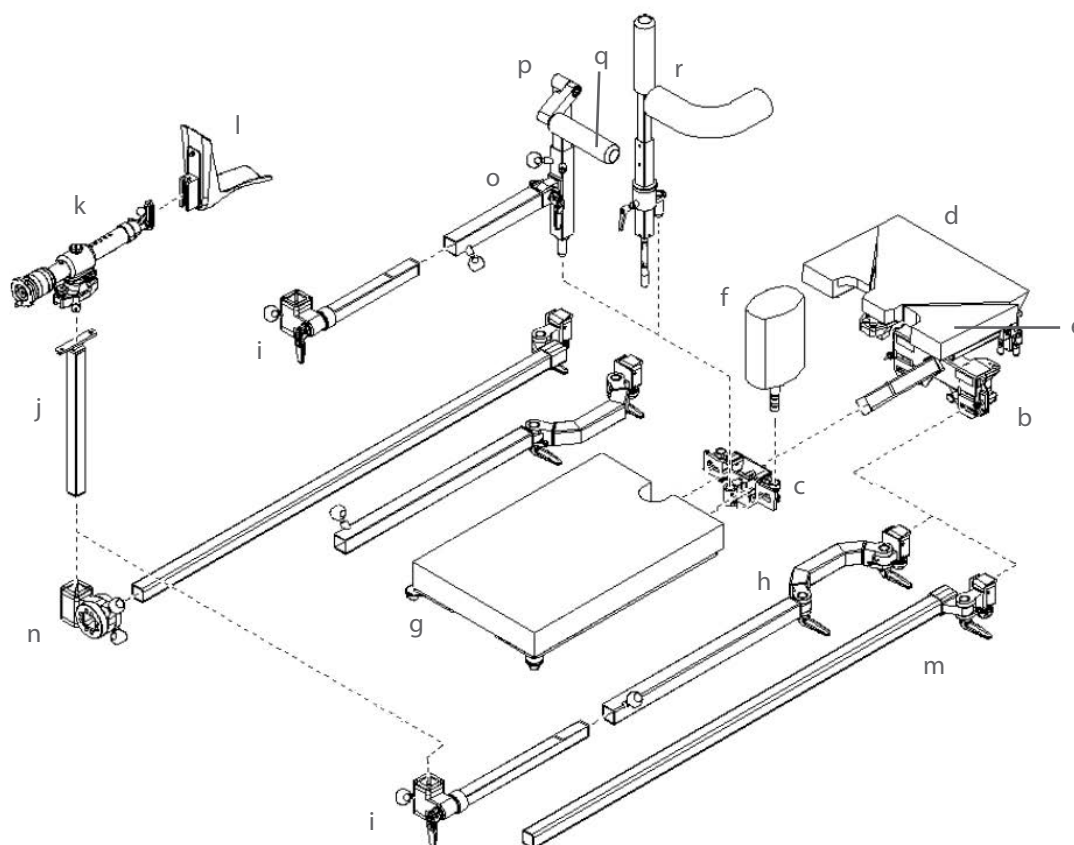
## Shoulder Chair, Coupler Mounted Kit

*Includes:*

- (1) Shoulder Chair H, 2009875
- (1) Disposable Facemask, 111608 (case of 12)
- (1) Shoulder Chair Dolly, 111606
- (1) Pad Knee Flex, 111552

Shoulder Chair H, Kit · Part # 111935

## Orthopedic Extension Unit, Standard Accessories



Part Name	Part Number
a Extension Unit Docking Trolley (not pictured)	1867129
b Extension Adapter, TS7500 Extension Adapter, TS7000	1574666 1850992
c Universal Support	1876707
d Supporting Pad, Universal B	1876707
e Angle Pad	1886332
f Counter Traction Post 150 Counter Traction Post Radiolucent	1612706 1574731
g Transfer Leg Section	1876708
h Double Joint Strut, pair	1574734
i Extension Strut, Medium	1597668
j Adapter Spindle Traction Mechanism	1593159
k Spindle Traction Mechanism FR	1881967
l Traction Boot Traction Boot, Pediatric	1574733 1610541
m Extension Joint Strut X-Ray, pair	1574735
n Adapter Extension Strut X-Ray	1593158
o Counter Traction Post for Tibia	1576815
p Adapter Counter Traction Post Pivoted	1576816
q Counter Traction Post	1218835 4544449 4544453
r Counter Traction Post for Femur	4544448

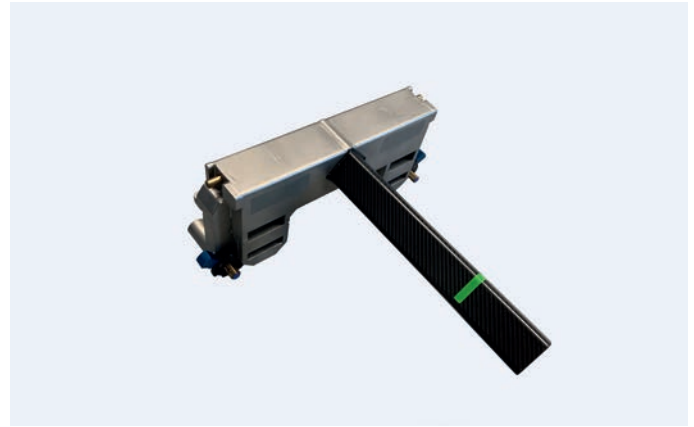


### Docking Trolley Extension Unit for TruSystem® 7000 Tables

For transporting, storing, docking and undocking of the Extension Unit to TruSystem surgical tables.

- Made of stainless steel
- Compatible with TruSystem 7000 Surgical Tables

Docking Trolley Extension Unit TS7000 · Part # 1867129



### Extension Adapter for TruSystem® Tables

Adapter for extension accessories on TruSystem tabletops.

- Load-bearing structure made of carbon and stainless steel
- Replacement pad for TS7500: 1880217
- Compatible with TruSystem 7000 and 7500 Surgical Tables

Extension Adapter TS7000 · Part # 1850992

Extension Adapter - TS 7500 · Part # 1574666

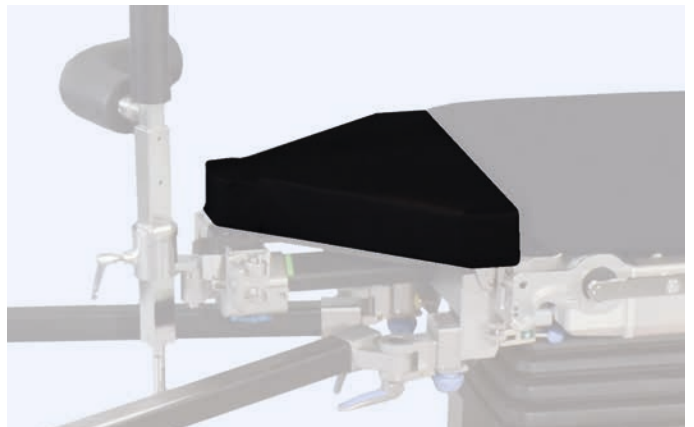


### Universal Support

Used to slide on Extension Adapters (without joints); connects Leg Sections, Transfer Leg Section (1876708), Counter Traction Posts and MIS Hip device to the OR table; fixed joints.

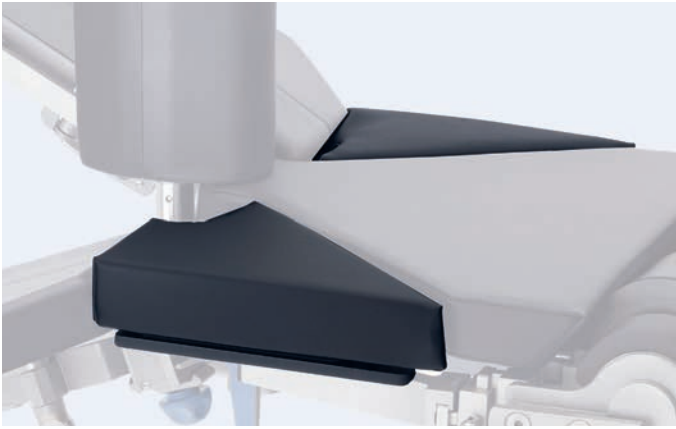
- Made of stainless steel
- Compatible with TruSystem 7000 Surgical Tables

Universal Support TS7000 · Part # 1876707



### Supporting Pad, Universal

Supporting Pad, Universal B · Part # 1880217



## Angle Pad

Attaches to Trumpf Medical hook coupling points and used in combination with the Extension Adapter (1850992) to extend operating tabletop.

- Load-bearing structure made of stainless steel
- Compatible with TruSystem 7000, 7000dV and 7500 Surgical Tables

Angle Pad B · Part # 1886332



## Counter Traction Post 150

- Diameter: 7" (180 mm)
- Length: 13.8" (350 mm)
- Compatible with TruSystem 7000, 7000dV and 7500 Surgical Tables
- Replacement pad: 1612708

Counter Traction Post 150 · Part # 1612706



## Counter Traction Post Radiolucent

To attach to supporting pad universal or supporting pad hip; 360° radiolucent.

- Diameter: 7" (180 mm)
- Length: 13.8" (350 mm)
- Compatible with TruSystem 7000, 7000dV and 7500 Surgical Tables

Counter Traction Post X-ray · Part # 1574731



## Transfer Leg Section

Attaches to Universal Support (1876707).

- Dimensions (LxWxH): 34.9" x 21.3" x 2.7" (886 mm x 542 mm x 68 mm)
- For FX New Generation
- Replacement pad: 1880219
- Compatible with TruSystem 7000, 7000dV and 7500 Surgical Tables

Transfer Leg Section · Part # 1876708



### Double Joint Strut, Pair

Attaches to TruSystem hook/coupling point system and extension adapters.

- Made of stainless steel
- For FX New Generation
- Compatible with TruSystem 7000, 7000dV and 7500 Surgical Tables

Double Joint Strut, Pair · Part # 1574734



### Extension Strut

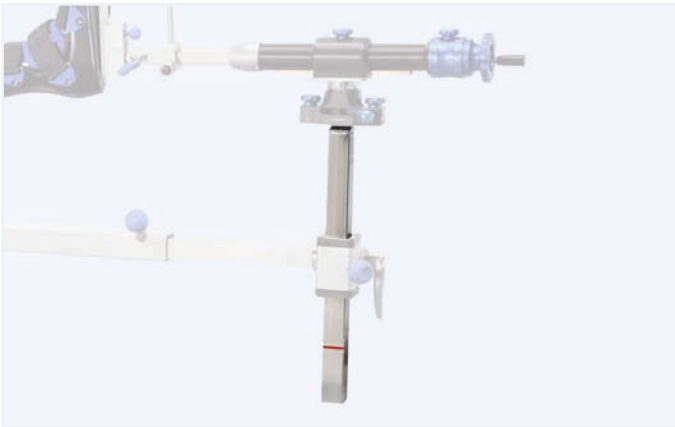
Attaches to Double Joint Strut, pair (1574734) or Arthroscopy Positioning Device (454466) for mounting the Adapter Spindle Traction Mechanism (1593159).

- Length: Short - 19" (485 mm); Medium - 25" (635 mm); Long - 31" (795 mm)
- Load-bearing structure made of stainless steel
- Compatible with TruSystem 7000, 7000dV and 7500 Surgical Tables

Extension Strut Short · Part # 1597667

Extension Strut Medium · Part # 1597668

Extension Strut Long · Part # 1597669



### Adapter Spindle Traction Mechanism

Mounts the Spindle Traction Mechanism (Discontinued - 1881967).

- Made of stainless steel
- Compatible with TruSystem 7000, 7000dV and 7500 Surgical Tables

Adapter Spindle Traction Mechanism · Part # 1593159



### Spindle Traction Mechanism

For positioning the patient's leg with the Extension Unit; allows free rotation of the leg with tilt joint to attach traction boots; ball joint adjustment allows various positions; adjustment of traction by handwheel; flexible adjustment to individual length of patient's legs.

- For use with Extension Unit
- Compatible with TruSystem 7000, 7000dV and 7500 Surgical Tables

Spindle Traction Mechanism · Part # 1881967





## Traction Boot

Removable foot support with straps for adults.

- For FX New Generation
- Compatible with TruSystem 7000, 7000dV and 7500 Surgical Tables

Traction Boot · Part # 1574733



## Traction Boot, Pediatric

Removable foot support with straps.

- For FX New Generation
- Compatible with TruSystem 7000, 7000dV and 7500 Surgical Tables

Traction Boot Children · Part # 1610541

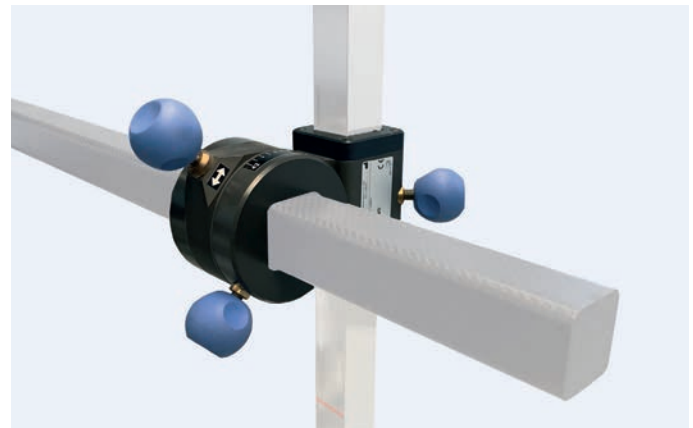


## Extension Joint Strut X-ray, Pair

Attaches to Trumpf Medical coupling point system and extension adapters.

- Made of carbon fiber
- For FX New Generation
- Compatible with TruSystem 7000, 7000dV and 7500 Surgical Tables

Extension Joint Strut X-ray, Pair · Part # 1574735

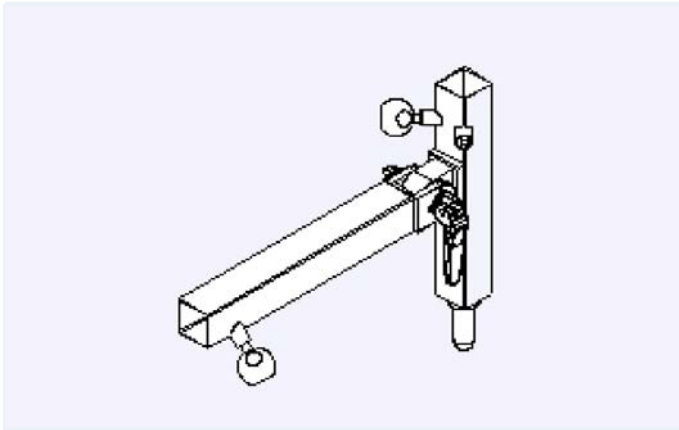


## Adapter Extension Strut X-ray

Attaches to the Radiolucent Extension Strut, Pair (1574735); for mounting the Adapter Spindle Traction Mechanism (1593159).

- Made of carbon fiber
- For FX New Generation
- For use with Extension Unit
- Compatible with TruSystem 7000, 7000dV and 7500 Surgical Tables

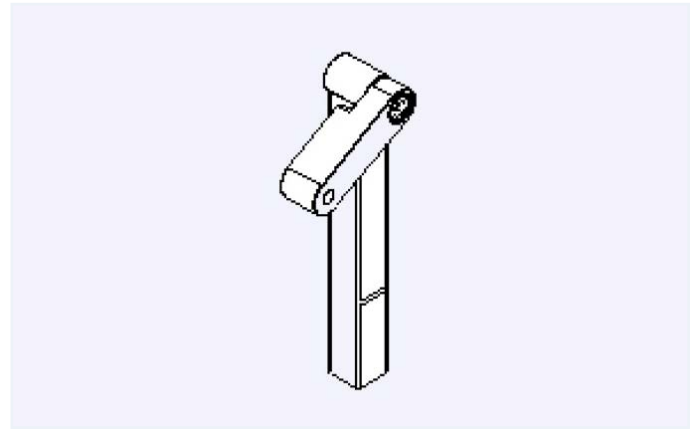
Adapter Extension Strut X-ray · Part # 1593158



### Counter Traction Post for Tibia

- Made of stainless steel
- For use with Extension Unit
- Compatible with TruSystem 7000, 7000dV and 7500 Surgical Tables

Counter Traction Post for Tibia · Part # 1576815



### Adapter Counter Traction Post Pivoted

Attaches to the Counter Traction Post for Tibia (1576815).

- Made of stainless steel
- For use with Extension Unit
- Compatible with TruSystem 7000, 7000dV and 7500 Surgical Tables

Adapter Counter Traction Post Pivoted · Part # 1576816



### Counter Traction Post

Attaches to Counter Traction Post Adapters.

- Diameter: 3" (80 mm)
- Radiolucent
- Compatible with TruSystem 7000, 7000dV and 7500 Surgical Tables

Counter Traction Post (Length: 11") · Part # 1218835

Counter Traction Post (Length: 14") · Part # 4544449

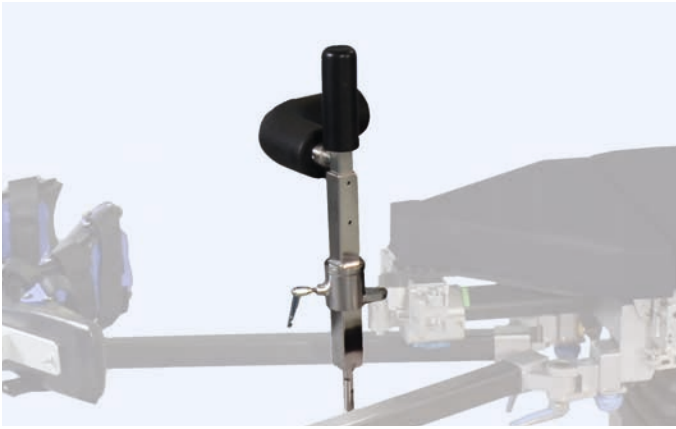


### Counter Traction Post 60

Attaches to Counter Traction Post Adapters.

- Diameter: 2" (60 mm)
- Length: 11" (270 mm)
- Compatible with TruSystem 7000, 7000dV and 7500 Surgical Tables

Counter Traction Post 60 · Part # 4544453



### Counter Traction Post, Femur

For lateral positioning; height adjustable via crank.

- Height adjustment: 5" (125 mm)
- Load-bearing structure made of stainless steel
- Compatible with TruSystem 7000, 7000dV and 7500 Surgical Tables

Counter Traction Post for Femur · Part # 4544448



### Weinberger Hand Traction Device

Attaches to Spindle Traction Mechanism (1881967) via integral clamp.

- Compatible with TruSystem 7000, 7000dV and 7500 Surgical Tables

Weinberger Hand Traction Device · Part # 1218836



### Legholder, Goepel

Adjustable lower leg support with Velcro safety strap.

- Dimensions (LxWxH): 29.97" x 14.76" x 7.87" (685 mm x 375 mm x 200 mm)
- Height adjustment range: 11.81" (300 mm)
- Weight capacity: up to 55.11 lbs (25 kg) please refer to user manual for more details
- Load-bearing structure made of stainless steel
- Radiolucent
- Compatible with TruSystem 7000, 7000dV and 7500 Surgical Tables

Requires: Easy Lock Socket Clamp, 111839

Leg Holder GOEPEL · Part # 4544736



### Pediatric Legholder, Goepel

Adjustable lower leg support with Velcro safety strap. Connects to siderail via Easy Lock Socket Clamp (111839).

- Dimensions (LxWxH): 20.47" x 14.17" x 3.74" (520 mm x 360 mm x 95 mm)
- Height adjustment range: 7.87" (200 mm)
- Weight capacity: up to 33.07 lbs (15 kg) please refer to user manual for more details
- Load-bearing structure made of stainless steel
- Radiolucent
- Compatible with TruSystem 7000, 7000dV and 7500 Surgical Tables

Requires: Easy Lock Socket Clamp, 111839

Leg Holder Goepel for Children · Part # 4544789



### Deluxe Arthroscopic Legholder System

Allows for rigid fixation and applies pressure both medially and laterally to the leg. One directional locking mechanism with hinged upper brace. Holds legs up to 35" (89 cm) in circumference.

- Patient weight capacity: 500 lbs
- Compatible with TruSystem 7000, 7000dV and 7500 Surgical Tables
- Replacement pad: R-S4133-V (single-use)

*Requires:* Easy Lock Socket Clamp, 111839; Legholder Pad, R-S4133-V

Deluxe Arthroscopic Legholder System · Part # F-10015



### Arthroscopic Stress Post

Improves access to the medial compartment of the knee. Levering fulcrum with a 3" x 8" pad attached to a curved post.

- Compatible with TruSystem 7000, 7000dV and 7500 Surgical Tables

*Requires:* Easy Lock Socket Clamp, 111839

Arthroscopic Stress Post · Part # F-ASP



### Pad Riser for De Mayo

- Compatible with TruSystem 7000, 7000dV and 7500 Surgical Tables

Pad Riser for De Mayo · Part # 111571



### Meniscus Positioning Device

- Compatible with TruSystem 7000, 7000dV and 7500 Surgical Tables

*Requires:* Easy Lock Socket Clamp, 111839

Meniscus Positioning Device · Part # 4544791



### Wilson Spine Bridge

This accessory is to be set on top of tabletops; belts included to attach bridge to siderails; crank for height adjustment; adjustable flexion range.

- Radiolucent: Yes

*Requires:* Pad Spine Bridge Wilson, set, 1852424

Spine Bridge Wilson V · Part #1790125

Pad Spine Bridge Wilson, set · Part #1852424

Transport Case for Wilson Frame and Pads · Part # 1337641



### kombiTROLL™ Extension Trolley

For positioning and transporting extension accessories. Accessories sold separately.

- Dimensions (L x W x H): 40" x 30" x 67" (1020 mm x 750 mm x 1700 mm)
- Made of aluminum
- Compatible with TruSystem 7000, 7000dV and 7500 Surgical Tables

kombiTROLL Extension Trolley · Part # 1664865



### Headrest for Shoulder Operation

Radiolucent U-shaped helmet with soft pads and two Velcro straps for safe positioning and lateral fixation of the head; fits various head sizes ranging from child to adult; removable pads.

- Compatible with TruSystem 7000, 7000dV and 7500 Surgical Tables

Headrest for Shoulder Operation · Part # 1296096

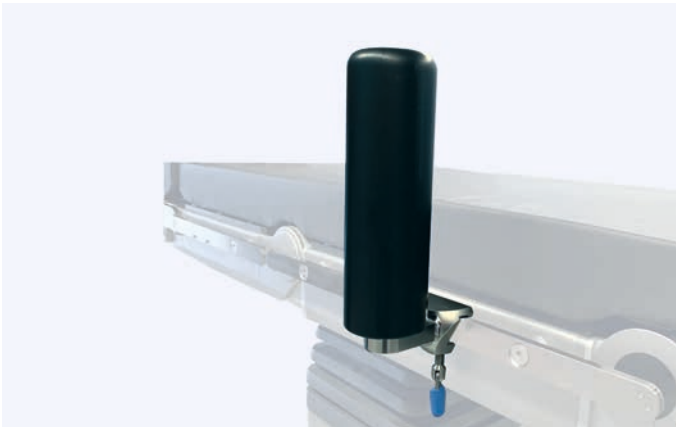


### Pad Knee Flex

Angled pad to support patient's legs during various surgical procedures, such as beach chair.

- Compatible with TruSystem 7000, 7000dV and 7500 Surgical Tables

Pad Knee Flex · Part # 111552

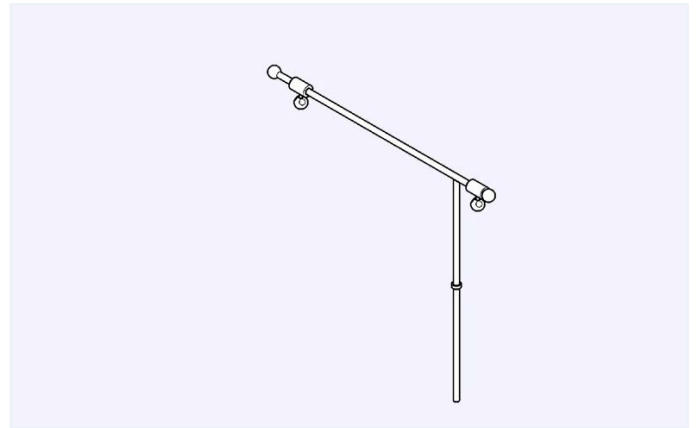


## Axilla Support

Attaches to siderail via integral clamp.

- Load-bearing structure made of stainless steel
- Compatible with TruSystem 7000, 7000dV and 7500 Surgical Tables

Axilla Support · Part # 1218848

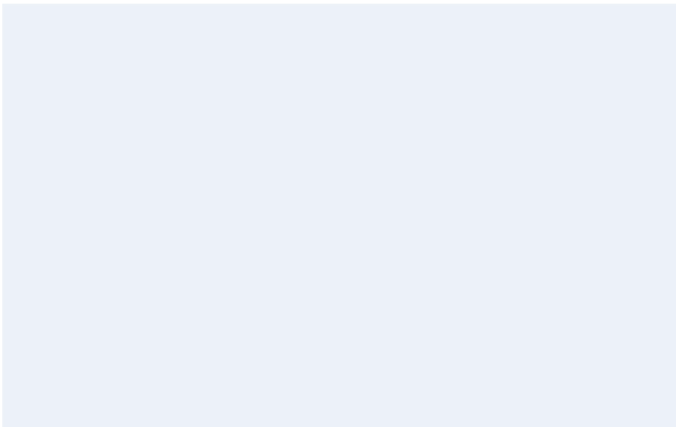


## Elbow Support

Attaches to siderail via integral clamp. Swivel-mounted and adjustable to arm length.

- Load-bearing structure made of stainless steel
- Compatible with TruSystem 7000, 7000dV and 7500 Surgical Tables

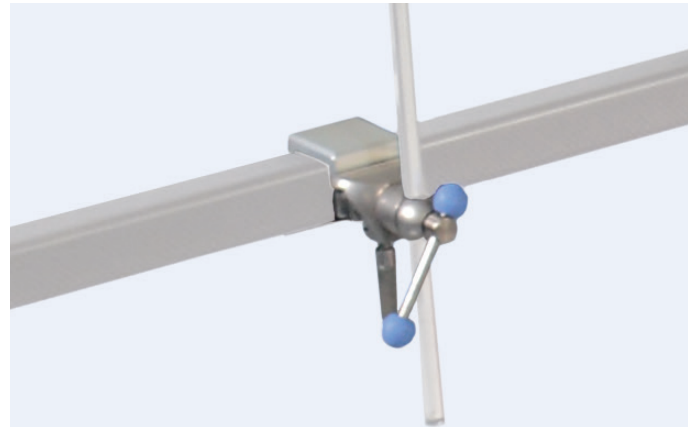
Elbow Support · Part # 1218847



## Fracture Draping System

- Compatible with TruSystem 7000, 7000dV and 7500 Surgical Tables

Fracture Draping System · Part # F-RDSTMS-A1

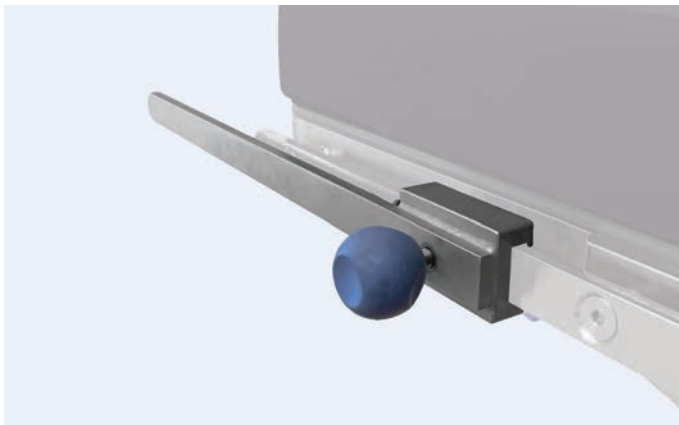


## Radial Setting Clamp

Clamp provides the mounting and installation of the clamp and device all at the same time. The clamp fits safely and securely to the siderail and also accepts mounting rods with diameters 0.5" - 0.7" (15 mm - 18 mm).

- 360° adjustment
- Made of stainless steel
- Compatible with TruSystem 7000, 7000dV and 7500 Surgical Tables

Clamp Radial Setting · Part # 1218804



### Siderail Extension U

Attaches to siderail via integral clamp for additional length.

- Length: 20" (520 mm)
- Made of stainless steel
- Compatible with TruSystem 7000, 7000dV and 7500 Surgical Tables

Siderail Extension U · Part # 4501001



### Rail Clamp for Extension Strut

To attach accessories on the extension struts within the fracture extension set.

- Made of stainless steel
- Compatible with TruSystem 7000, 7000dV and 7500 Surgical Tables

Rail Clamp for Extension Strut · Part # 1218833

# Urology & Gynecology



## Boot Stirrups

- Patient weight capacity: Standard - 350 lbs; Elite - 500 lbs
- Lithotomy range: +84° to -33° / Abduction range: +25° to -9°
- Compatible with TruSystem 7000, 7000dV and 7500 Surgical Tables
- Replacement pad option: F-AMA62S0.6S

*Requires:* (2) Rail Clamp, Simple, 20-2001006 or (2) Easy Lock, Blade Clamp, 111426

*Optional:* Stirrup Cart, F-30015

Standard Stirrups (pair) · Part # 110075

Elite Stirrup (pair) · Part # F-LH500



## Boot Stirrups, Heavy Duty

- Patient weight capacity: 720 lbs
- Lithotomy range: +84° to -33° / Abduction range: +25° to -9°
- Compatible with TruSystem 7000, 7000dV and 7500 Surgical Tables
- Replacement pad option: P-AMA120S0.6S-A
- Manufactured by Allen Amatech

*Requires:* (2) Rail Clamp, Simple, 20-2001006 or (2) Easy Lock, Blade Clamp, 111426

*Optional:* Stirrup Cart, F-30015

Heavy Duty Stirrups (pair) · Part # 111950





### Legholder, Goepel

Adjustable lower leg support with Velcro safety strap.

- Dimensions (LxWxH): 29.97" x 14.76" x 7.87" (685 mm x 375 mm x 200 mm)
- Height adjustment range: 11.81" (300 mm)
- Weight capacity: up to 55.11 lbs (25 kg) please refer to user manual for more details
- Load-bearing structure made of stainless steel
- Radiolucent
- Compatible with TruSystem 7000, 7000dV and 7500 Surgical Tables

*Requires:* Easy Lock Socket Clamp, 111839

Leg Holder GOEPEL · Part # 4544736



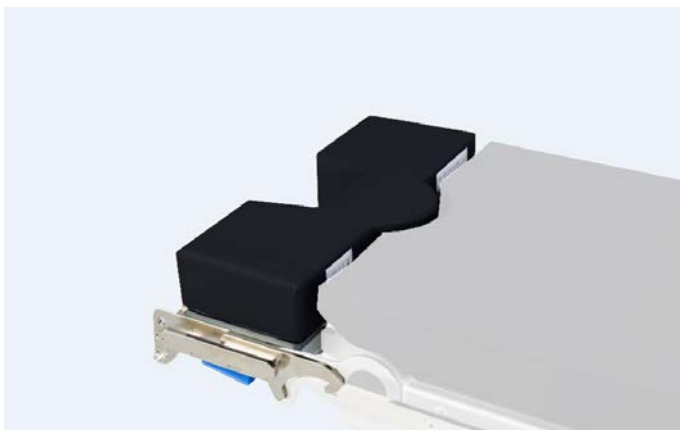
### Pediatric Legholder, Goepel

Adjustable lower leg support with Velcro safety strap. Connects to siderail via Easy Lock Socket Clamp (111839).

- Dimensions (LxWxH): 20.47" x 14.17" x 3.74" (520 mm x 360 mm x 95 mm)
- Height adjustment range: 7.87" (200 mm)
- Weight capacity: up to 33.07 lbs (15 kg) please refer to user manual for more details
- Load-bearing structure made of stainless steel
- Radiolucent
- Compatible with TruSystem 7000, 7000dV and 7500 Surgical Tables

*Requires:* Easy Lock Socket Clamp, 111839

Leg Holder Goepel for Children · Part # 4544789



### Pelvic Section Extension

Attaches to the TruSystem hook/coupling point system for an extension of 12" (305 mm). Connects to Medium (L) coupler - Refer to Compatibility Reference Chart in Index.

- Dimensions (LxWxH): 12.05" x 23.66" x 3.94" (306 mm x 601 mm x 100 mm)
- Siderail dimensions (LxW): 1.1" x 0.4" (28.6 mm x 10 mm)
- Load capacity: 496 lbs (250 kg) when complying with the conditions that apply for the operating table
- Load-bearing structure made of stainless steel
- Radiolucent
- Compatible with TruSystem 7000, 7000dV and 7500 Surgical Tables
- Replacement pad: 1909819

*Optional:* Lightweight Transfer Board, 2012543

Pelvic Section Extension H V U · Part # 1909820



### Band Uro Catcher

Flexible band with integral clamps attaches to the end of the seat section or Pelvic Extension.

Band Uro Catcher · Part # 20-2001007

### Bag Uro Catcher, Single-use

Pack of 10 bags.

*Requires:* Band, Uro Catcher, 20-2001007

Bag Uro Catcher · Part # 20-2001008 (pictured)



## Drainage Bowl and Adapter

---

Attaches to siderail, guide rail allows precise adjustment in X and Y directions. Sturdy drainage bowl with removable strain screen and hose for drainage.

- Made of stainless steel
- Compatible with TruSystem 7000, 7000dV and 7500 Surgical Tables

---

Drainage Bowl Adapter · Part # 4544619

---

Collection Bowl · Part # 1218883

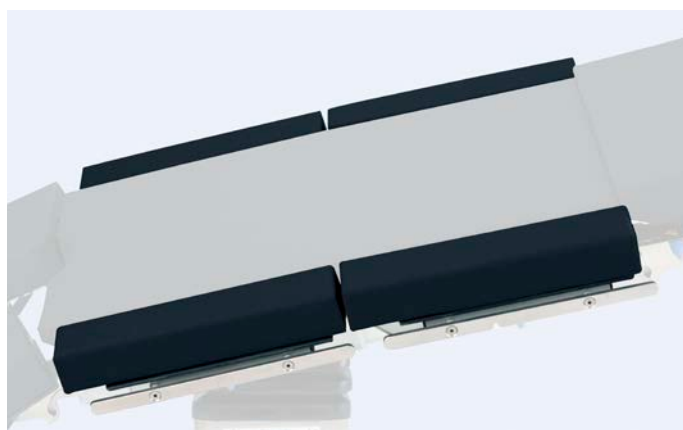
---

Drainage Bowl · Part # 4544618

---



# Bariatric



Width Extender for TruSystem Tables, Pair

Connect to the siderails on the back, seat and foot sections via integral clamp. Extenders add a total of 10" to the table for an overall table width of 33.6" when applied to the TruSystem Surgical Tables.

- Dimensions (LxWxH): 22" x 5" x 6" (560 mm x 125 mm x 150 mm)
- Max load capacity: 55 lbs per side
- Load-bearing structure made of stainless steel
- Radiolucent
- Compatible with TruSystem 7000, 7000dV and 7500 Surgical Tables
- Replacement pad: 111250

Width Extender for TruSystem Tables (pair) · Part # 1255814



Bariatric Security Strap, with Pad

Straps are adjustable up to 80".

- Pad dimensions (L x W): 30" x 12"
- Compatible with TruSystem 7000, 7000dV and 7500 Surgical Tables

Bariatric Security Strap, with Pad · Part # 111809

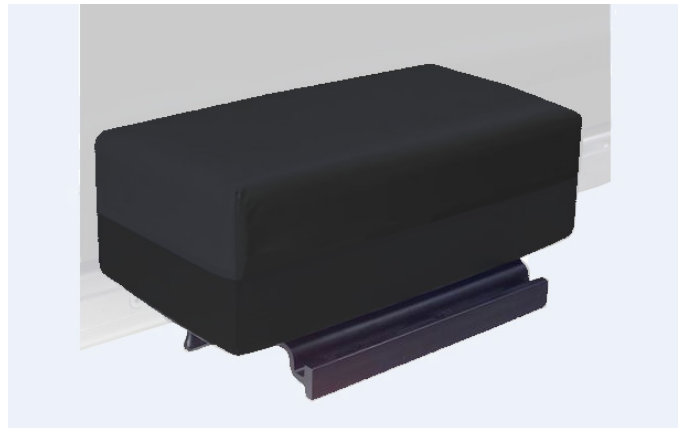


### Bariatric Nissen Thigh Strap, Pair

Padded straps offer the support larger patients need during steep reverse Trendelenburg positioning. The pad is wide and long to offer comfortable support. Integral clamps attach to siderail.

- Patient Weight Capacity: 1,000 lbs (454 kg)
- Compatible with TruSystem 7000, 7000dV and 7500 Surgical Tables

Nissen Thigh Strap, Bariatric, Pair · Part # 111951



### Bariatric Table Width Extender, Pair

Increases support surface of surgical table by 8" on each side. Attaches to siderails associated with the back, seat, and leg sections. Short extender provides space on table rail for weight-bearing accessories.

- Patient weight capacity: 1,000 lbs
- Compatible with TruSystem 7000, 7000dV and 7500 Surgical Tables

*Requires:* Bariatric Table Width Expender Pads, call customer service to order (no applicable part number)

Bariatric Table Width Extender, 8" x 11" · Part # F-80150

Bariatric Table Width Extender, 8" x 15" · Part # F-80100



### Boot Stirrups, Heavy Duty

- Patient weight capacity: 720 lbs
- Lithotomy range: +84° to -33° / Abduction range: +25° to -9°
- Compatible with TruSystem 7000, 7000dV and 7500 Surgical Tables
- Replacement pad option: P-AMA120S0.6S-A
- Manufactured by Allen Amatech

*Requires:* (2) Rail Clamp, Simple, 20-2001006 or (2) Easy Lock, Blade Clamp, 111426

*Optional:* Stirrup Cart, F-30015

Heavy Duty Stirrups (pair) · Part # 111950

# Pediatric



Horseshoe Headrest, Pediatric

Padded, horseshoe shaped headrest designed for prone or supine positioning for pediatric or smaller sized patients. Features extension bar for skull traction and durable comfort gel pads. Connects to Swivel Adapter (1218969).

- Made of cast aluminum
- Manufactured by Pro Med Instruments GmbH
- Compatible with TruSystem 7000, 7000dV and 7500 Surgical Tables

Headrest for Children · Part # 1218973



Pediatric Legholder, Goepel

Adjustable lower leg support with Velcro safety strap. Connects to siderail via Easy Lock Socket Clamp (111839).

- Dimensions (LxWxH): 20.47" x 14.17" x 3.74" (520 mm x 360 mm x 95 mm)
- Height adjustment range: 7.87" (200 mm)
- Weight capacity: up to 33.07 lbs (15 kg) please refer to user manual for more details
- Load-bearing structure made of stainless steel
- Radiolucent
- Compatible with TruSystem 7000, 7000dV and 7500 Surgical Tables

*Requires:* Easy Lock Socket Clamp, 111839

Leg Holder Goepel for Children · Part # 4544789



## Traction Boot, Pediatric

Removable foot support with straps.

- For FX New Generation
- Compatible with TruSystem 7000, 7000dV and 7500 Surgical Tables

Traction Boot Children · Part # 1610541



## Short Patient Transfer Board

Lightweight, roller-free board for patient transfer.

- Weight capacity: 500 lbs
- Compatible with TruSystem 7000, 7000dV and 7500 Surgical Tables

*Optional:* Narrow board Replacement Cap (F-83015) or Wide Board Replacement Cap, F-83016

Short, Wide Patient Transfer Board 32" x 20.5" · Part # F-83003

Short, Narrow Patient Transfer Board 40" x 16.5" · Part # F-83001

# Anesthesia



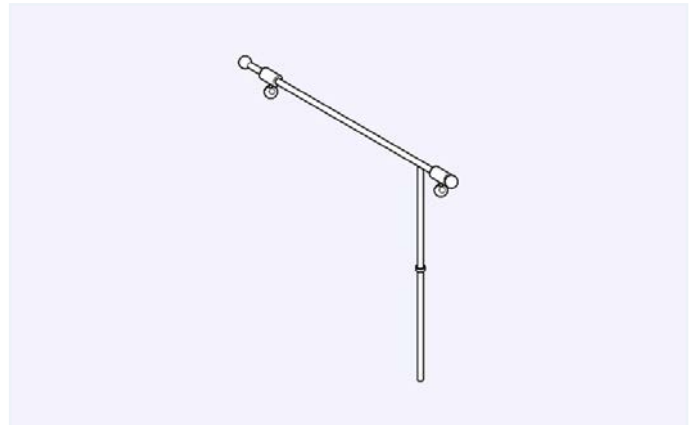
## Flexible Anesthesia Screen

Flexible shape allows for screen to be configured to any needed shape. Plastic encased metal allows screen to hold it's position. Connects to siderails via 5/8" post.

- Compatible with TruSystem 7000, 7000dV and 7500 Surgical Tables
- Manufactured by: Allen Amatech

*Requires:* Easy Lock Socket Clamp, 111839

Flexible Anesthesia Screen · Part # F-FAS



## Anesthesia Screen Holder, Extendable

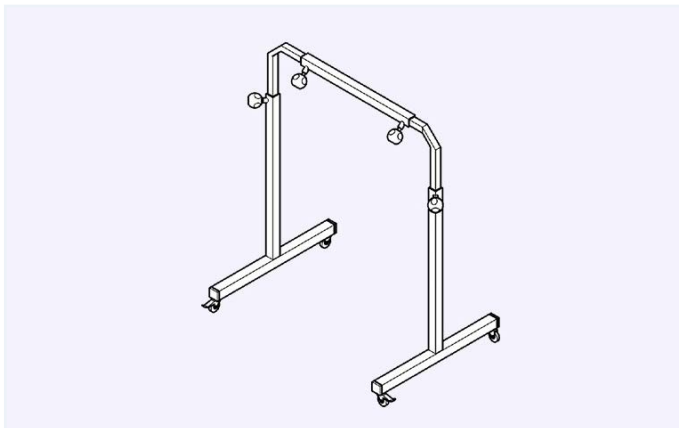
Two stainless steel, electrically insulated rods with lateral extension and safety ring. Height adjustable via clamp. Attaches to siderails.

- Vertical rod diameter: 1" (18 mm)
- Height adjustment: 20" (500 mm)
- Made of stainless steel
- Compatible with TruSystem 7000, 7000dV and 7500 Surgical Tables

*Requires:* Easy Lock Socket Clamp, 111839

Anesthesia Screen Holder - Extendable · Part # 4544710





## Anesthesia Screen, Mobile

Adjustable in width and height.

- Width: 59" - 79" (1500 mm - 2000 mm)
- Height: 45" - 79" (1130 mm - 2000 mm)
- Made of stainless steel
- Compatible with TruSystem 7000, 7000dV and 7500 Surgical Tables

Anesthesia Screen Mobile · Part # 4544009



## Tubing Holder and Clamp

To attach resuscitation tubes and monitor cables to siderails.

- Manufactured by Teleflex Medical GmbH

*Requires:* Clamp for Tubing Holder, 1606992

Tubing Holder · Part # 1403003

Clamp for Tubing Holder · Part # 1606992



## Infusion Rod, 4-Hooks

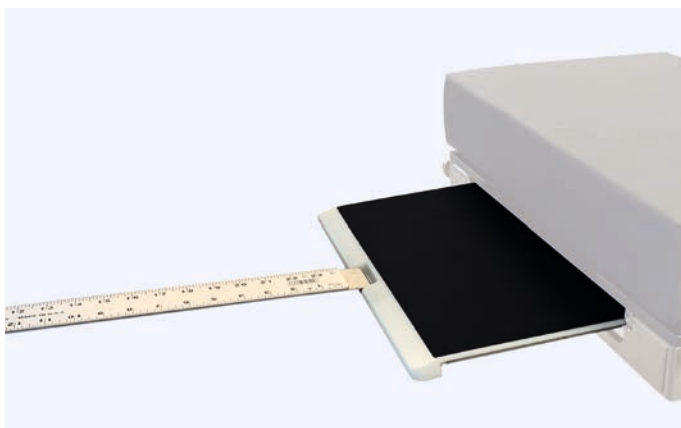
Attaches to the siderails via integral clamp, height adjustable.

- Made of stainless steel
- Compatible with TruSystem 7000, 7000dV and 7500 Surgical Tables

Infusion Rod with 4 Hooks · Part # 4544708

# Radiology

For more information, reference the X-ray Grid Solution guide on pages 110 - 111.



Grid Assembly with Introducer

---

Grid Assembly with Introducer 103 LPI · Part # 111830

---

Grid Assembly with Introducer 132 LPI · Part # 111831

---

Grid Assembly with Introducer 178 LPI · Part # 111832

---

Grid Assembly with Introducer 215 LPI · Part # 111907

---



Grid + Flat Encasement

---

Grid + Flat Encasement 103 LPI · Part # 111445

---

Grid + Flat Encasement 132 LPI · Part # 111446

---

Grid + Flat Encasement 178 LPI · Part # 111444

---



### Grid Only

- Grid Only 103 LPI · Part # 111615

---

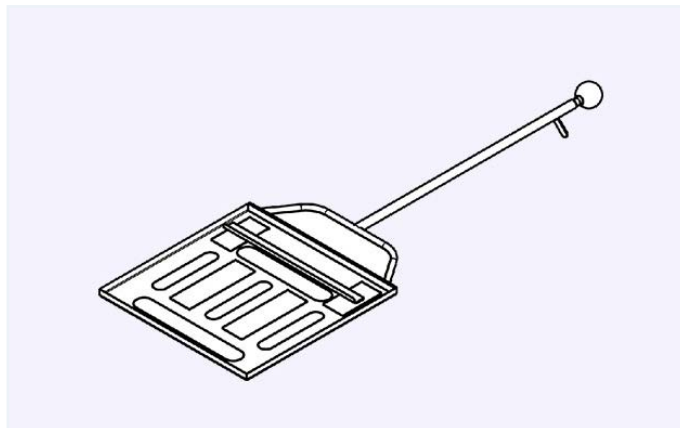
- Grid Only 132 LPI · Part # 111617

---

- Grid Only 178 LPI · Part # 111616

---

- Grid Only 215 LPI · Part # 111614

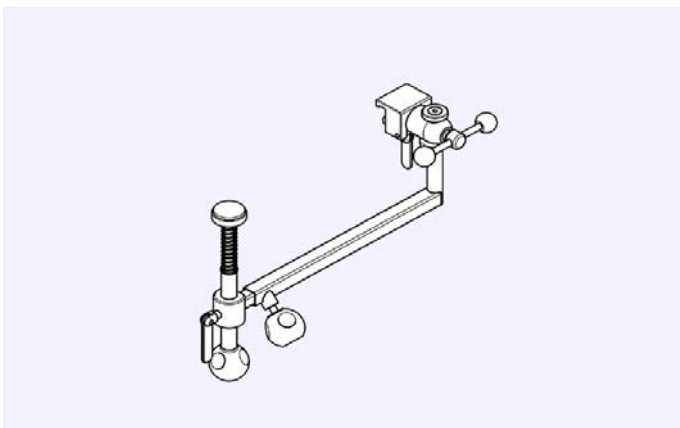


### Positioner for X-ray Cassettes

For X-ray cassettes with maximum dimensions of 15" x 15" (380 mm x 380 mm).

- Made of stainless steel
- Compatible with TruSystem 7000, 7000dV and 7500 Surgical Tables

Positioner for X-ray Cassettes · Part # 1256558



### X-ray Cassette Holder

For taking vertical X-rays; rotation via swivel joint; lateral adjustment;

- Lateral adjustment: 15" - 24" (390 mm - 620 mm)
- Height adjustment: 2.5" (65 mm)
- Rotation angle: 360°
- Made of stainless steel
- Compatible with TruSystem 7000, 7000dV and 7500 Surgical Tables

X-ray Cassette Holder COMFORT · Part # 1305492

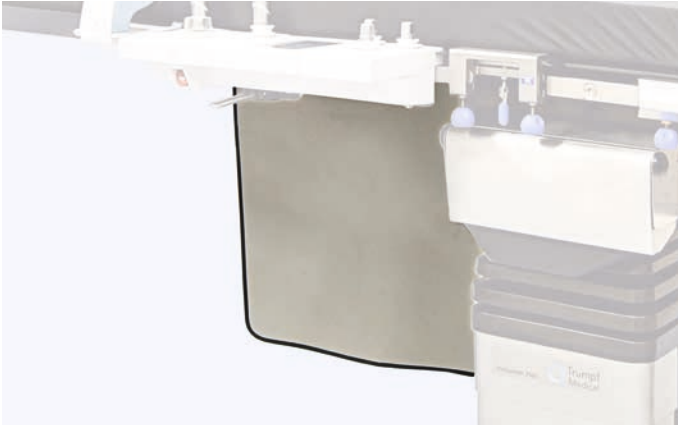


### Reina DR. Positioning Partner

Allows for additional imaging, specifically lateral.

- Compatible with TruSystem 7000, 7000dV and 7500 Surgical Tables

Reina Dr. Positioning Partner · Part # 112014



### Lower Body Table Shield

---

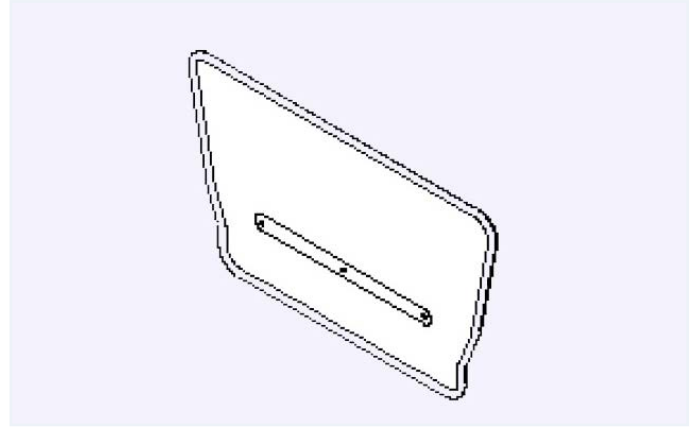
Attaches to siderail for radiolucent protection.

- Dimensions (LxW): 36.6" x 27.5" (930 mm x 700 mm)
- Compatible with TruSystem 7500 Surgical Tables

---

Lower Body Table Shield · Part # 1946701

---



### Wide Lift-off Top Shield

---

Attaches via cross-connection to Lower Body Table Shield (1946701).

- Width: 10.6" (270 mm); 22.4" (57 cm)
- Compatible with TruSystem 7500 Surgical Tables

---

Wide Lift-off Top Shield 10" (27 cm) · Part # 1946702

---

---

Wide Lift-off Top Shield 22" (57 cm) · Part # 1946703 (pictured)

---



# Vascular



TruSystem® 7500 Carbon FloatLine Tabletop

One-part operating tabletop made of carbon fiber with electrically motorized adjustment of longitudinal and lateral slide with coupling point at the head end for attaching head positioning accessories. Dimensions for tabletop with on-floor mounted column.

- Patient weight capacity: 496 lbs (225 kg); articulated: 396 lbs (180 kg)
- 360° radiolucent
- X-ray area: Head end: 70.9" x 20.5" (1800 mm x 520 mm); with headrest: 82.7" x 20.5" (2100 mm x 520 mm)
- Longitudinal slide: 31.4" (80 cm) (fixed)
- Lateral slide: ± 4.9 in (± 12.5 cm)
- Trendelenburg / reverse Trendelenburg: ± 45°
- Tilt: ± 30°
- Dimensions (LxW): 90.1 in x 22 in (2290 mm x 560 mm)
- Replacement pad: 1797654

Free Float Carbon - Part # 1616201

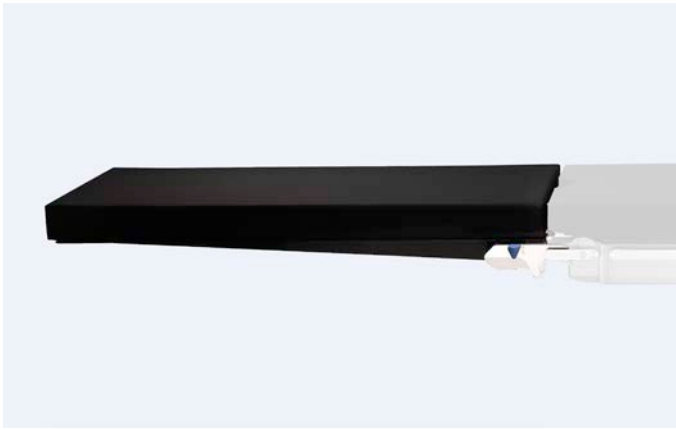


TruSystem® 7500 Carbon X-TRA Tabletop

One-part operating tabletop made of carbon fiber with electrically motorized adjustment of longitudinal and lateral slide, with a coupling point at the foot end for attaching head positioning accessories. Dimensions for tabletop with on-floor mounted column.

- Patient weight capacity: 396.8 lbs (180 kg)
- 360° radiolucent
- X-ray area - Head end: 55.1" x 20.5" (1400 mm x 520 mm), Foot end: 18.1" x 20.5" (460 mm x 520 mm)
- Longitudinal slide: 17.9" (455 mm)
- Lateral slide: ± 3.3" (± 85 mm)
- Dimensions (LxW): 82.1" x 22" (2085 mm x 560 mm)

Operating Tabletop Carbon X-TRA 7500 U - Part # 1846397



### TruSystem® Tabletop Segment Carbon 1200

Attaches to the TruSystem hook/coupling point system for 360° radiolucence. Connects to Large (L) coupler - Refer to Compatibility Reference Chart in Index. Pad included.

- Dimensions (LxWxH): 51.2" x 24.4" x 3.6" (1300 mm x 620 mm x 90 mm)
- Carbon length: 47.23" (1200 mm)
- Patient weight capacity in normal orientation: 353 lbs when complying with the conditions that apply for the operating table
- Made of carbon board; stainless steel hook/couplers
- 360° Radiolucent
- Replacement pad: 1851580

Tabletop Segment Carbon 1200 H V · Part # 1850989



### Free Float Carbon Control Unit

Control unit allows a free-floating motion in the longitudinal and transverse displacement of tabletop Carbon FloatLine; realization of lateral tilt, Trend., height adjustment; two memory functions; can be attached to the longitudinal side of the tabletop by an Easy-Click system.

- Compatible with Carbon Floatline Tabletop

Free Float Carbon Control Unit · Part # 1808992



### Carbon Fiber Armboard

Armboard slides between tabletop and tabletop pad and is held in place by the weight of the patient. Consists of base plate and arm support, rotatable 180°.

- Base plate dimensions (LxW): 7.5" x 24" (190 mm x 610 mm)
- Arm support dimensions (LxW): 5.9" x 22.8" (150 mm x 580 mm)
- Pad height: 2.9" (75 mm)
- Weight capacity: 29.98 lbs (13.6 kg)
- Made of carbon fiber
- Radiolucent
- Compatible with TruSystem 7000, 7000dV and 7500 Surgical Tables

Carbon Fiber Armboard V · Part # 1895203



### Arm Shield

Shield is slid between tabletop and tabletop pad and held in place by the weight of the patient. Not suited for tables with mushroom fasteners.

Slides under back section. Pad to protect arms and keep them from falling off table. The radiolucent arm shield provides a comfortable, safe platform for surgical staff to lean on without harming patient or dislodging IVs. The soft flexible pad provides comfortable cushion reducing risk of pressure related injury.

- Dimensions (WxH): 15.75" x 7" (400 mm x 180 mm)
- Made of plexiglass
- Radiolucent

• Compatible with TruSystem 7000, 7000dV and 7500 Surgical Tables  
 • Manufactured by Allen Amatech

Arm Shield · Part # 1939050



### Joint Plate Carbon with Clamps, Pair

---

Used with Joint Plate Carbon Clamp, pair (12722324) to offer flexibility of siderails on carbon components.

- Dimensions (LxWxH): Joint Plate Carbon 370 - 8" x 16" x 0.2" (200 mm x 420 mm x 6 mm); Joint Plate Carbon 520 - 8" x 22" x 0.2" (200 mm x 570 mm x 6 mm)
- Made of carbon fiber
- Radiolucent
- Compatible with TruSystem 7000, 7000dV and 7500 Surgical Tables

---

*Requires:* (1) Joint Plate Carbon Clamp, pair, 1272324

---

---

Joint Plate Carbon 370 · Part # 1279867

---

---

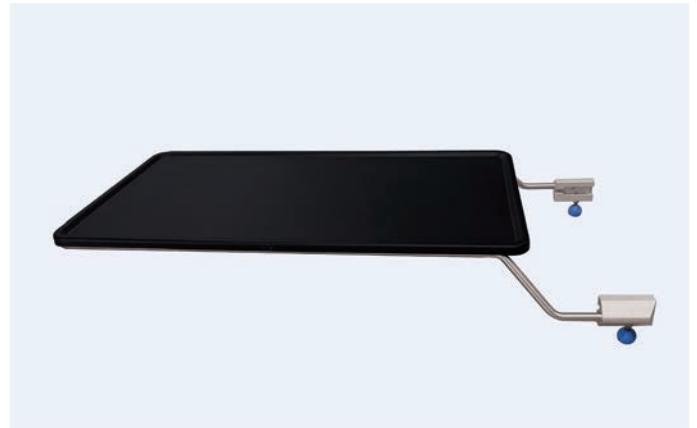
Joint Plate Carbon 520 · Part # 1266934 (pictured)

---

---

Clamp Pair for Joint Plate Carbon · Part # 1272324

---



### Extension Tray

---

Slides on to the end of siderails and attaches via integral clamps. Commonly used at head or foot section.

- Dimensions (L x W): 39.3" x 22" (100 mm x 560 mm)
- Compatible with TruSystem 7000, 7000dV and 7500 Surgical Tables

---

Floatline Catheter Tray U · Part # 1814876

---





## Pad Index (arranged by part number)





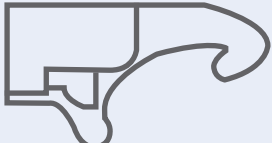
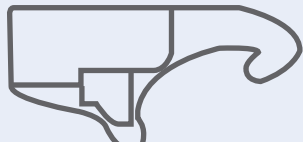
Part Number	Part Name	Pad Number
110075	Boot Stirrups, Standard	F-AMA62S0.65
111618	Rotatable Footboard	112066
111893	Armboard Snaplock Trigger	Options: 2" - 20-2001028, 3" - 20-2001003, 4.25" - 111895 (standard)
111932	Adjustable Footboard	112067
111950	Boot Stirrups, Heavy Duty	P-AMA120S0.6S-A
112012	Multi-Task Armboard	Clamshell 2" Armboard Pad - O-AMA96X2.0S
112069	Allen Supine Filler Top, 8"	112070
1255814	Width Extender for TruSystem Tables, Pair	1255814
1297207	Radiolucent Head Section, Wide	111269
1574666	Extension Adapter, TS7500	1880217
1581502	TruSystem 7500 SQ14 X-TRA U T Tabletop	1851926
1616201	Carbon FloatLine Tabletop	4262752
1739969	Leg Section, One-Part H U	1756392
1739991	Leg Section, Split Two-Parts H U	Options: Uro Cutout: 2012542 (Standard), Without Cutout: 1809671
1739992	TruSystem Tabletop Segment Carbon 600 U H	1770133
1790125	Spine Bridge WILSON V	1852424
1846395	TruSystem 7500 SQ 14 U V Tabletop	1851926
1846397	TruSystem 7500 Carbon X-TRA Tabletop	1851928
1850989	TruSystem Tabletop Segment Carbon 1200 H V	1873466
1853828	Head Section, Double-Joint H U V	1764878
1853829	Leg Section, Split Four-Parts H V U	1851579
1876708	Transfer Leg Section	1880219
1886332	Angle Pad B	1880217
1895203	Carbon Fiber Armboard V	110015
1909794	TruSystem 7500 U26 H V U Tabletop	1909814
1909797	TruSystem 7500 U24 H V U Tabletop	1982388
1909800	TruSystem 7500 U14 H V U Tabletop	1909816
1909813	Upper Back Section H V U	1909831
2009875	Shoulder Chair H, Coupler Mounted	111945
2012543	Lightweight Transfer Board	1783522
2029418	TruSystem 7500 ST26 H V U Tabletop	1909814
2066007	Allen Supine Filler Top, 12"	2066008
4544434	Side Guard, Pair	1479197
F-10015	Deluxe Arthroscopic Legholder System	R-S4133-V
F-30450-C	Carbon Fiber Rectangular Hand/Arm Table	Options: 1" Pad - F-30300-Pad-1, 2" Pad - F-30300-Pad
F-30650-C	Carbon Fiber Hourglass Hand / Arm Table	Options: 1" Pad Set - F-30502-1-B, 2" Pad Set - F-30502-B
F-LH500	Boot Stirrups, Elite	F-AMA62S0.65

## Pad Index (arranged by part name)

Part Number	Part Name	Pad Number
111932	Adjustable Footboard	112067
2066007	Allen Supine Filler Top 12"	2066008
112069	Allen Supine Filler Top 8"	112070
1886332	Angle Pad B	1880217
111893	Armboard Snaplock Trigger, with Pad (4.25"), EA	Options: 2" - 20-2001028, 3" - 20-2001003, 4.25" - 111895 (standard)
110075	Boot Stirrups, Standard	F-AMA62S0.65
F-LH500	Boot Stirrups, Elite	F-AMA62S0.65
111950	Boot Stirrups, Heavy Duty	P-AMA120S0.6S-A
1895203	Carbon Fiber Armboard V	110015
F-30650-C	Carbon Fiber Hourglass Hand / Arm Table	Options: 1" Pad Set - F-30502-1-B, 2" Pad Set - F-30502-B
F-30450-C	Carbon Fiber Rectangular Hand/Arm Table	Options: 1" Pad - F-30300-Pad-1, 2" Pad - F-30300-Pad
1616201	Carbon FloatLine Tabletop	4262752
1574666	Extension Adapter, TS7500	1880217
1853828	Head Section, Double-Joint H U V	1764878
1739969	Leg Section, One-Part H U	1756392
1853829	Leg Section, Split Four-Parts H V U	1851579
1739991	Leg Section, Split Two-Parts H U	Options: Uro Cutout: 2012542 (Standard), Without Cutout: 1809671
2012543	Lightweight Transfer Board	1783522
112012	Multi-Task Armboard	Clamshell 2" Armboard Pad - O-AMA96X2.0S
1909820	Pelvic Section Extension H V U	1909819
1297207	Radiolucent Head Section, Wide	111269
111618	Rotatable Footboard	112066
2009875	Shoulder Chair H, Coupler Mounted	111945
4544434	Side Guard, Pair	1479197
1790125	Spine Bridge WILSON V	1852424
1876708	Transfer Leg Section	1880219
1846397	TruSystem 7500 Carbon X-TRA Tabletop	1851928
2029418	TruSystem 7500 ST26 H V U Tabletop	1909814
1846395	TruSystem 7500 SQ 14 U V Tabletop	1851926
1581502	TruSystem 7500 SQ14 X-TRA U T Tabletop	1851926
1909800	TruSystem 7500 U14 H V U Tabletop	1909816
1909797	TruSystem 7500 U24 H V U Tabletop	1982388
1909794	TruSystem 7500 U26 H V U Tabletop	1909814
1850989	TruSystem Tabletop Segment Carbon 1200 H V	1873466
1739992	TruSystem Tabletop Segment Carbon 600 U H	1770133
1909813	Upper Back Section H V U	1909831
1255814	Width Extender for TruSystem Tables, Pair	1255814

## Compatibility Matrix - Couplers

Trumpf Medical coupling points have three different basic types of hooks and fixtures. Please refer to the Compatibility Matrix for possible combinations.

			
Small (S) Hook Coupler 	X	X	X
Medium (M) Hook Coupler 		X	X
Large (L) Hook Coupler 			X

# Compatibility Matrix - Tabletops and Accessories

Part Number	Name	U14 H		U24 H V U		ST26 H / U26 H		TS7000 / TS7000dV	
		HS M Coupler	FS L Coupler	HS S Coupler	FS L Coupler	HS M Coupler	FS L Coupler	HS S Coupler	FS L Coupler
1853828	Head Section, Double Joint H U V	X	X	X	X	X	X	X	X
1909813	Upper Back Section H V U	X	X		X	X	X		X
1739992	TruSystem Tabletop Segment Carbon 600 H V		X		X		X		X
1850989	TruSystem Tabletop Segment Carbon 1200 H V		X		X		X		X
1909820	Pelvic Extension H V U	X	X		X	X	X		X
1739969	Leg Section, One Part H U V	X	X		X	X	X		X
1739991	Leg Section, Split Two-Parts H U V	X	X		X	X	X		X
1739993	Leg Section One Part Light H V	X	X		X	X	X		X
2012543	Lightweight Transfer Board	X	X		X	X	X		X
1853829	Leg Section, Split Four-Parts	X	X		X	X	X		X
2009875	Shoulder Chair H, Coupler Mounted		X		X		X		X

HS - Head Side  
FS - Foot Side

Available Grid Options for use in the X-ray Tunnel of Trumpf Medical Tables		Benefit
A. 3/16" Grid Encasements (Grid Cap) for most CR or FILM Cassettes		Sits on top of Cassette, allows you to manually push both through the x-ray tunnel
B. 1/16" Low-Profile Grid-ONLY (no encasement) for most of the thicker DR Digital Detectors		Sits on top of Detector, allows you to manually push both through the x-ray tunnel
C. Trumpf Medical Surgical Grid Assembly with Introducer (specific to Mfr. of Cassette or Digital Detector)		Cassette/Detector is held within a frame and can be pushed or withdrawn through the x-ray tunnel with the Push Stick (included)
Processing Method / Manufacturer	Options	Part #
CR WITHOUT Grid Suppression Software	A. 3/16" Grid Encasement (Grid "Cap") 178LPI, 8.1	111444
	C. Grid ASsembly with Introducer 178LPI, 8.1	111832
CR WITH Grid Suppression Software	A. 3/16" Grid Encasement (Grid "Cap") 103LPI, 8.1	111445
	C. Grid ASsembly with Introducer 103LPI, 8.1	111830
DR WITHOUT Grid Suppression Software	B. 1/16" Low Profile Grid-ONLY (no encasement) 215LPI, 8.1	111614
	C. Grid Assembly with Introducer 215LPI, 8.1	111907
DR WITH Grid Suppression Software	B. 1/16" Low-Profile Grid-ONLY (no encasement) 103LPI, 8.1	111615
	C. Grid Assembly with Introducer 103LPI, 8.1	111830
DR – CANON ONLY (Pairs with Detector and Software – Have customer specify LPI or call for recommendation if none specified by customer)	B. 1/16" Low-Profile Grid-ONLY (no encasement) 103LPI, 8.1	111615
	B. 1/16" Low-Profile Grid-ONLY (no encasement) 132LPI, 8.1	111617
	B. 1/16" Low-Profile Grid-ONLY (no encasement) 215LPI, 8.1	111614
	C. Grid Assembly with Introducer 103LPI, 8.1	111830
	C. Grid Assembly with Introducer 132LPI, 8.1	111831
	C. Grid Assembly with Introducer 215LPI, 8.1	111907

We offer the following Grid solution(s) for a “standard” 14”x17” Cassette or Digital Detector, with either a Grid or Encasement sitting on top or within a Frame Assembly that can be introduced into and withdrawn from the X-ray channel in our surgical tables. The ratio for Trumpf Medical’s assembly is 8:1. The line count is paired to the specific DR panel the customer uses. The Focal is always 34-44.

Most of the existing Grid solutions are either too wide or too high and thus cannot be slid within our under-table rail system. These solutions directly address this issue. First, ascertain the Manufacturer of their Cassettes or Detector and the Process being utilized, i.e. Fuji, Konica, Agfa, Kodak/Carestream, Canon, etc.

Process:

CR (Computed Radiography - where essentially a floppy disk-type sheet takes the place of exposed film in the cassette and is “read” much like a floppy disk, recorded and then erased for another use.

-or-

DR (Direct Radiography – where the image goes directly to a reading system from the Digital Detector (cassette) and is displayed usually on the Monitor of the portable X-ray machine (there is a wireless Modem on the back of a Digital Detector).

-or-

“Grid Cassettes”, these have the Grid contained within the cassette itself and thus the outside dimensions remain the same and typically fit just fine through our under-table cassette rails without the need for any additional solution

-and-

If they process their images WITH or WITHOUT Grid Suppression Software.

This information is very important and should be easily obtainable from one of the X-Ray Techs or the Radiology Manager/Director.

Once we have this information, we can recommend the appropriate 14x17 Grid solution for the customer.

---

### What is an X-Ray Grid?

An X-ray grid is the part of an X-ray machine or cassette system that filters out randomly deflected radiation that can obscure or blur an image produced by the machine. It was invented in 1913.

A grid is utilized on most “hard-film” X-rays (vs. C-Arm fluoroscopy) during surgical procedures.

### Purpose

An X-ray grid is a filtering device that ensures the clarity of the image on X-ray film or digital detector. When an X-ray machine sends radiation through an object, specifically a body, the object absorbs or deflects most of the rays. Only about 1 percent of the X-rays pass through the body on a straight line and burn an image onto the film. The deflected X-rays can hit the film at random angles, obscuring the image. The grid filters out these random X-rays.

### Design

An X-ray grid in its most basic form is a grate with a series of narrow strips of metal that stop X-rays--usually lead, nickel or aluminum. The grid resembles a set of horizontal window blinds that is partially open. X-rays that create the true image on the film travel in a straight line, so they will pass right through the grid. Deflected X-rays that would add noise to the image hit the grid strips at an angle and will not hit the film.

### Precision

To ensure that enough of the X-rays that are traveling on a straight-line pass through the grid, the strips of metal on the grid must be extremely thin.

Hill-Rom is a leading global medical technology company with more than 10,000 employees worldwide. We partner with health care providers in more than 100 countries, across all care settings, by focusing on patient care solutions that improve clinical and economic outcomes in five core areas: **Advancing Mobility, Wound Care and Prevention, Patient Monitoring and Diagnostics, Surgical Safety and Efficiency and Respiratory Health**. Our innovations ensure caregivers have the products they need to help diagnose, treat and protect their patients; speed up recoveries; and manage conditions. **Every day, around the world, we enhance outcomes for patients and their caregivers.** Learn more at [hill-rom.com](http://hill-rom.com).

Trumpf Medical, a division of Hill-Rom Holdings, Inc., develops and produces modern medical equipment for the OR, ICU, ED and associated clinical areas, providing hospital staff with the best possible support in delivering efficient and safe care to their patients. Its product range includes flexible OR tables, modular booms, as well as innovative OR lighting technologies and camera systems.

This document is destined solely for use by healthcare professionals. Medical devices shown in this brochure are intended for use with patients in departments of healthcare establishments.

These products are regulated health care products which, where required by applicable regulations, bear a CE mark. Hill-Rom recommends you carefully read the detailed instructions for safe and proper use included in the documentation accompanying the medical devices. The personnel of healthcare establishments are responsible for the proper use and maintenance of these medical devices.

da Vinci Xi® is a registered trademark of Intuitive Surgical Operations, Inc.

Easy Lock® is registered trademark of Allen Medical Systems, Inc.

DORO LUCENT® is a registered trademark of pro med instruments GmbH.

TrenGuard™ and ArmGuard™ are trademarks of D.A. Surgical

TruSystem® is a registered trademark of TRUMPF GmbH & Co. KG.

kombiTROLL is a trademark of TRUMPF GmbH & Co. KG.

Hill-Rom reserves the right to make changes without notice in design, specifications and models. The only warranty Hill-Rom makes is the express written warranty extended on the sale or rental of its products.

Product and label images are for illustrative purposes only. Actual product and label may vary.

©2019 Trumpf Medical Systems, Inc., ALL RIGHTS RESERVED.  
211014 rev 1 16-JUL-2019 ENG - US

Not all products/options are available in all countries.  
For further information about our products or services, please contact your local Trumpf Medical representative or visit our webpage:

[www.trumpfmedical.com/us](http://www.trumpfmedical.com/us)

Enhancing outcomes for  
patients and their caregivers:

**Hill-Rom**